

RC8.2 Team

#80906 RC8.2 Factory Team Kit



1:18 Scale Nitro 4WD Off Road Competition Buggy Kit Manual & Catalog ^{10/11}

TEAM ASSOCIATED



Designed in California, USA

:: Introduction

Thank you for purchasing this Team Associated product. This manual contains instructions and tips for building and maintaining your new RC8.2 Factory Team, 1/8 scale racing buggy. Please take a moment to read through it and familiarize yourself with these steps as they will help you to understand each component's function and show you some tips for getting the most out of your RC8.2 Factory Team build experience.

:: KIT Features

- 3mm Lengthened 7075 hard anodized chassis
- New Stronger A-arms with centerline shock mounts and optimized anti-roll bar position.
- 16mm Big Bore Hard Anodized Threaded Shocks with 4mm Titanium Nitride coated shafts
- 7075 Aluminum Low-CG Shock Towers with optimized geometry
- 7075 Aluminum suspension mounts front and rear
- 7075 Aluminum Steering Knuckles
- 7075 Aluminum Axles
- 7075 Aluminum Input Cups
- 7075 Aluminum one piece top plate
- Lightweight spur and diff gears
- Lightweight diff outdrives
- Aluminum steering posts
- CVA Boots on Center and Rear joints
- Dual Heat-Sink brake discs
- New Low-CG wing mount
- JConcepts Illuzion Wing
- JConcepts Illuzion Punisher Body

:: RC8 Platform Features

- 4.30:1 ratio gearboxes
 - 43T diff ring and 10T pinion for increased punch and durability over conventional buggy ratio gearboxes
- Brakes
 - Heatsink brake discs included
 - Brake cam stops ensure brakes aren't dragging while on throttle.
 - Blue adjustable brake thumb wheels
- 2 piece Center diff housing split vertically for easy diff removal and maintenance
- Caster blocks adjust 14, 16, or 18 degrees with molded inserts
- Low profile elliptical 2-stage air filter
- High Torque capacity 3-shoe aluminum clutch
 - PTFE clutch shim and easy to build design
 - Adjustable with 0.9mm, 1.0 mm, and 1.1 mm springs (not included)
- Fuel tank
 - Easily removeable fuel tank only 2 body clips for easy cleaning
- 3.5mm light CVA drivetrain
 - Front and rear hubs use large 15 mm x 24 mm bearing on the inside
 - 14 other 8mm x 16 mm rubber sealed bearings
 - Rear molded CVA boots to keep dirt and mud out of rear joints
- Blue Aluminum hexes and nylon locking wheel nuts

:: Additional Items Needed

Your RC8.2 FT kits comes with the latest components used by our factory race team to win races. However there are some things that are necessary to complete the build.

- .21 class rear exhaust engine • Muffler, joining pack, or manifold spring (#28045 or #28049 recommended)
- 2 channel radio/transmitter set with switch – FM/PCM/2.4GHz recommended • Transmitter batteries (#302, 303 recommended)
- 4.8-7.4v receiver battery pack
 - either flat (#613) or hump (#612) style NiMh battery
 - either 1600mAh LiPo (#630), 2100mAh LiPo (#631), or 1700 LiFe (#638) battery (recommended)
- Model car fuel (30% nitro recommended) • Fuel bottle (#1748 recommended)
- Glow igniter (#1738 recommended) • Starter box (#1750 recommended)
- 1/8th scale buggy tires • CA (Cyanoacrylic) glue (#1597 recommended)
- Polycarbonate specific spray paint or polycarbonate specific bottled paint and airbrush
- Thread locking compound (#1596 recommended)
- Needle nose pliers • Hobby knife • Reamer/hole punch • Ride Height Gauge (#1449 recommended)

:: Other Helpful Items

- Silicone Shock Fluid / Differential Fluid (Refer to catalog for complete listings)
- Body Scissors (AE Part # 1737)
- FT Hex Wrenches (AE Part # 1541, 1655)
- FT Nut Drivers (AE Part #1561, 1663-1668)
- Reamer / Hole Punch
- Needle Nose Pliers
- Calipers or a Precision Ruler
- FT Turnbuckle Wrench (#89240)
- Multi Tool (AE Part #7494)
- Green Slime shock lube (AE Part # 1105)
- Hobby Knife
- Wire Cutters
- Soldering Iron

Associated Electrics, Inc.
26021 Commercentre Dr.
Lake Forest, CA 92630



Customer Service
Tel: 949.544.7500
Fax: 949.544.7501

:: Table of Contents

1.....Cover	Bag L 30-33.....Fuel Tank, Air Filter, Engine, and Pipe Installation
2.....Introduction	Bag M 34.....Wheels, Tires, and Body Install
3.....Table of Contents	34.....Building Tips
BAG A	35.....Chassis Tips
4.....Chassis Assembly	35.....Front End Tips
BAG B	36.....Rear End Tips
4-5.....Steering Assembly	37.....Droop Settings
Bag C	38-49.....Catalog
6-9.....Front, Rear, and Center Differential Assembly	49.....Contact Info
Bag D	50.....Notes
9-11.....Front Bulkhead Assembly	51.....Setup Sheet "Kit Setup"
Bag E	52.....1:1 Hardware "Fold Out"
11-14.....Front Suspension Assembly	53.....Setup Sheet "Blank"
Bag F	54.....Back Cover
15-16.....Rear Bulkhead Assembly	
Bag G	
16-19.....Rear Suspension Assembly	
Bag H	
20-21.....Wing Assembly	
Bag I	
21-22.....Center Bulkhead Assembly	
Bag J	
23-25.....Shock Assembly	
Bag K	
26-30.....Radio Tray Assembly	

:: Notes

This symbol indicates a special note or instruction in the manual.



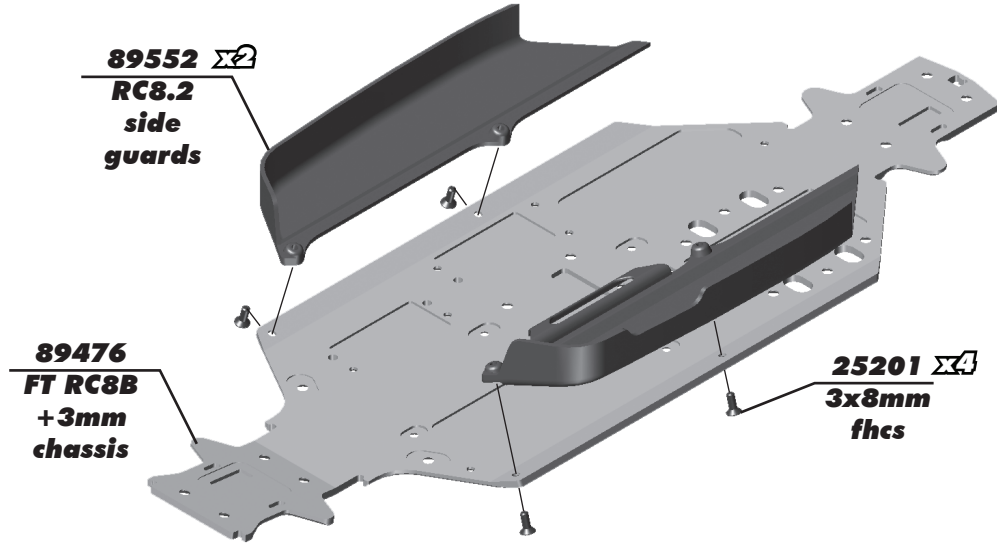
There is a 1:1 hardware foldout page in the back of the manual. To check the size of a part, line up your hardware with the correct drawing until you find the exact size. Each part in the foldout has a number assigned to it for ordering replacement parts.

Associated Electrics, Inc.
26021 Commercentre Dr.
Lake Forest, CA 92630

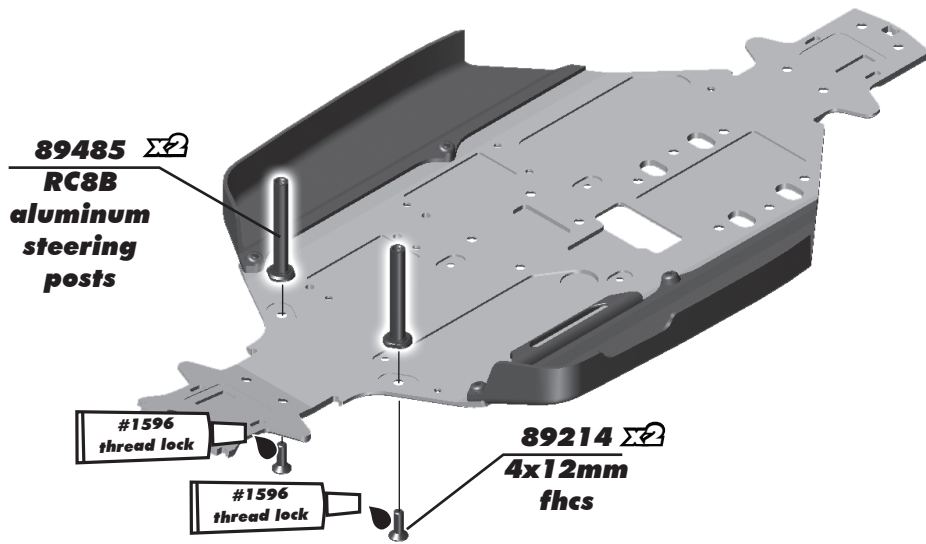


Customer Service
Tel: 949.544.7500
Fax: 949.544.7501

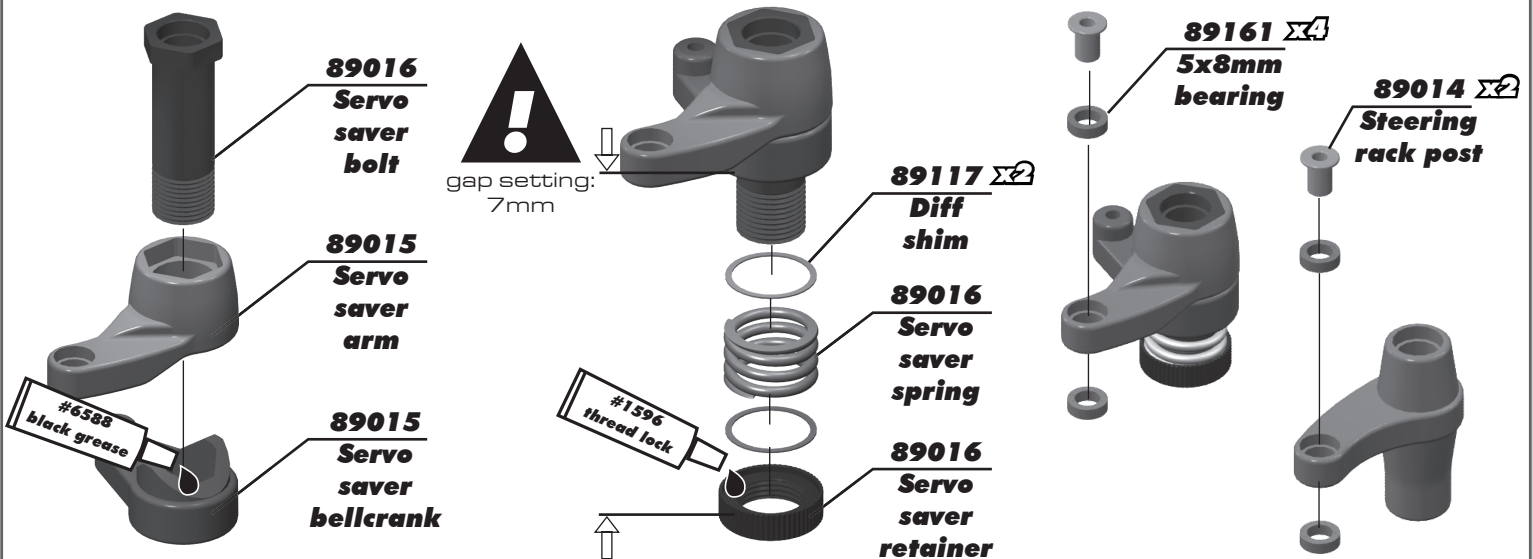
:: Chassis Assembly - Bag A



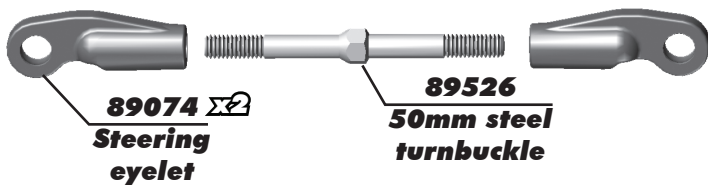
:: Chassis Assembly (cont.) - Bag A



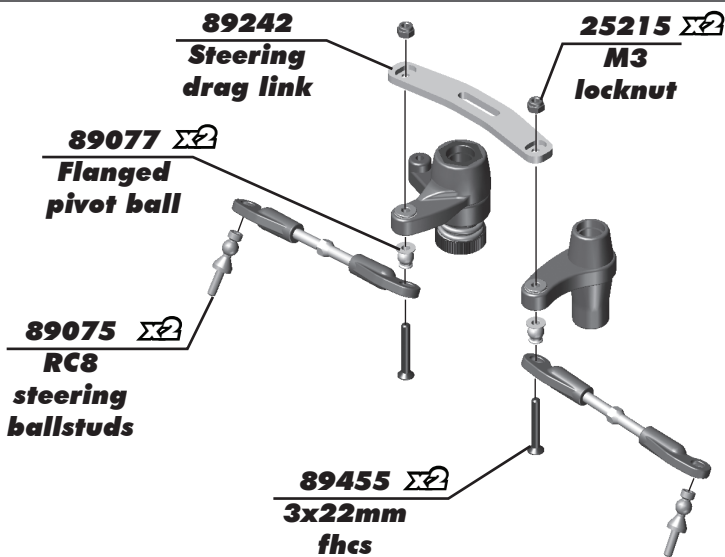
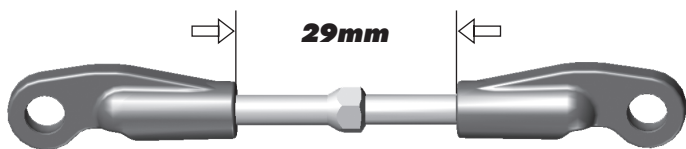
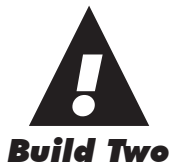
:: Steering Assembly - Bag B



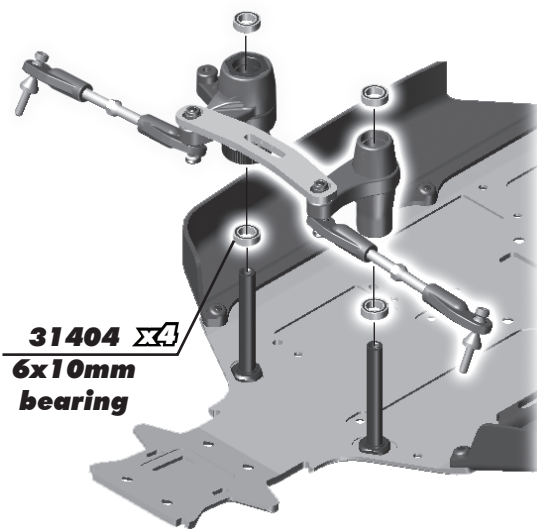
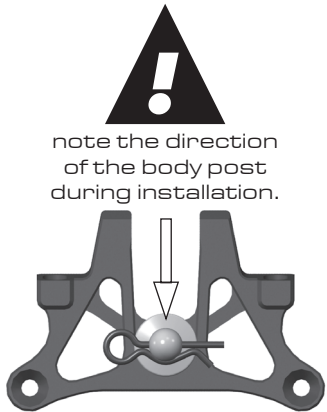
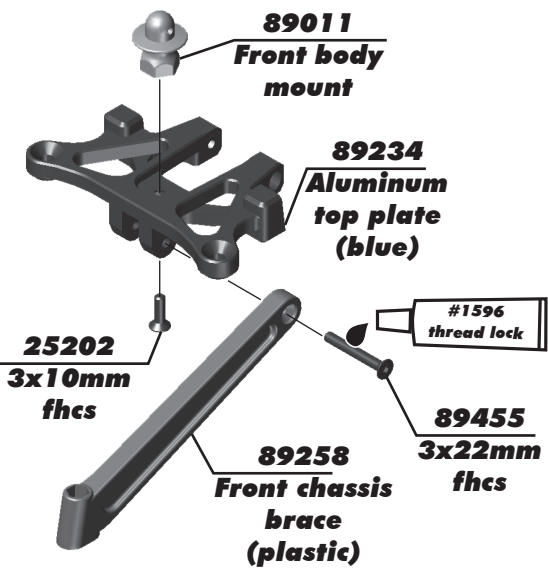
:: Steering Assembly (cont.)- Bag B



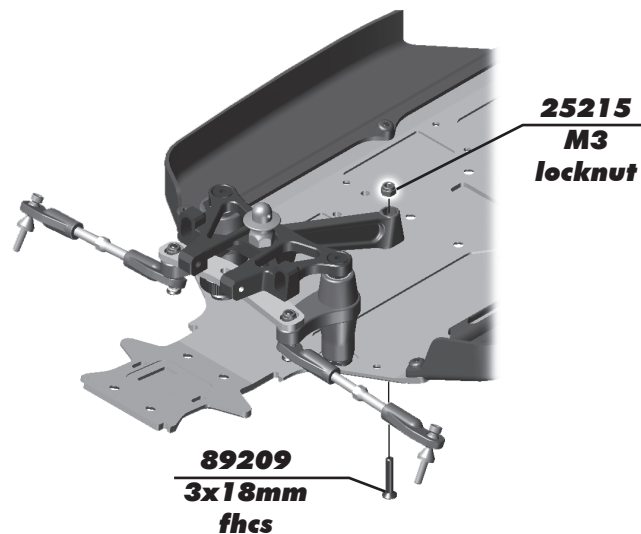
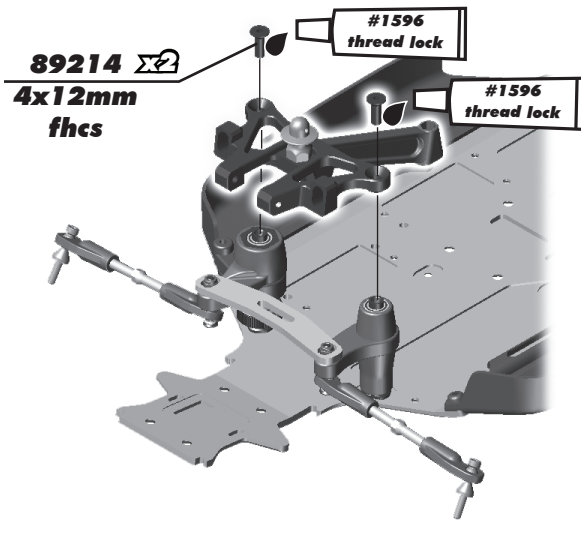
Smooth edge towards drivers side!



:: Steering Assembly (cont.)- Bag B

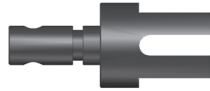


:: Steering Assembly (cont.)- Bag B

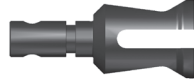


:: Front/Rear Differential Assembly - Bag C

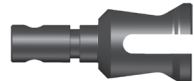
!
Diff outride differences



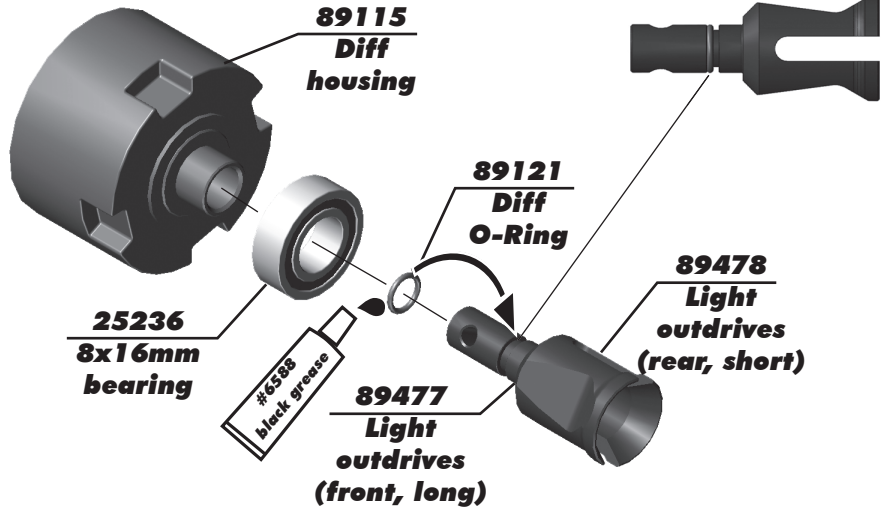
Center Diff Outdrive



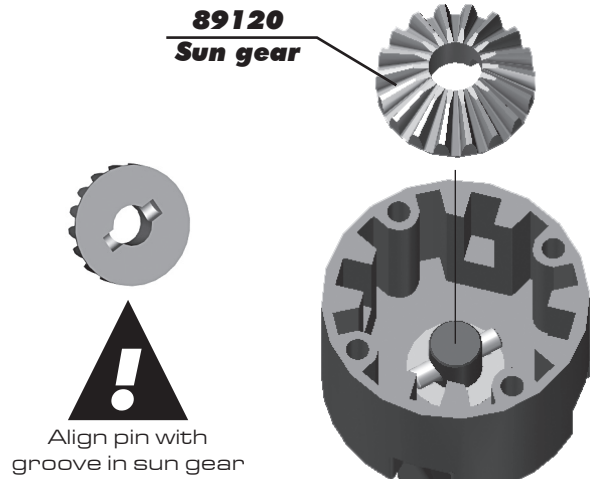
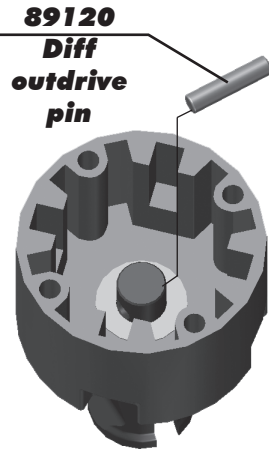
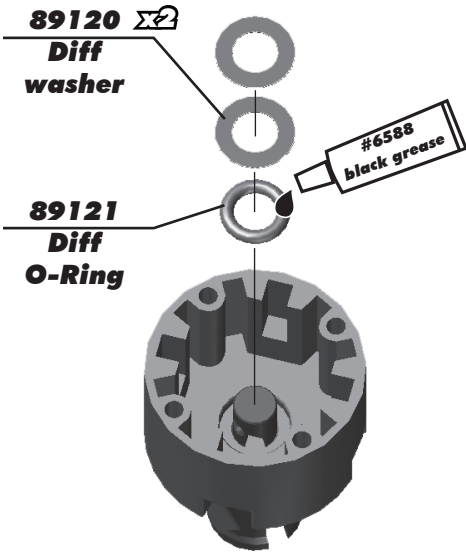
Front Diff Outdrive (long)



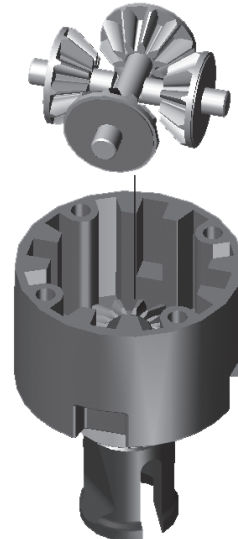
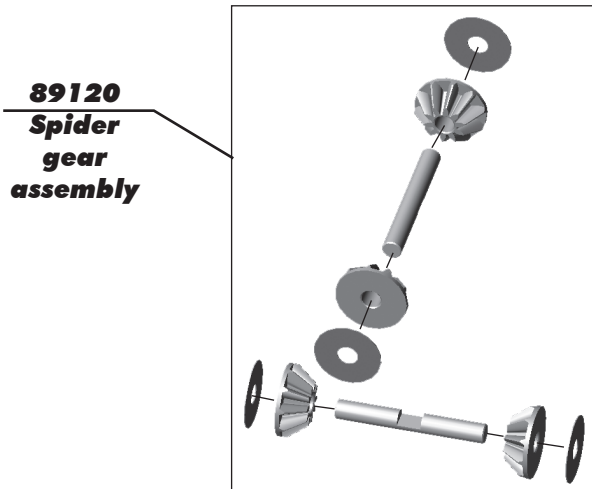
Rear Diff Outdrive (short)



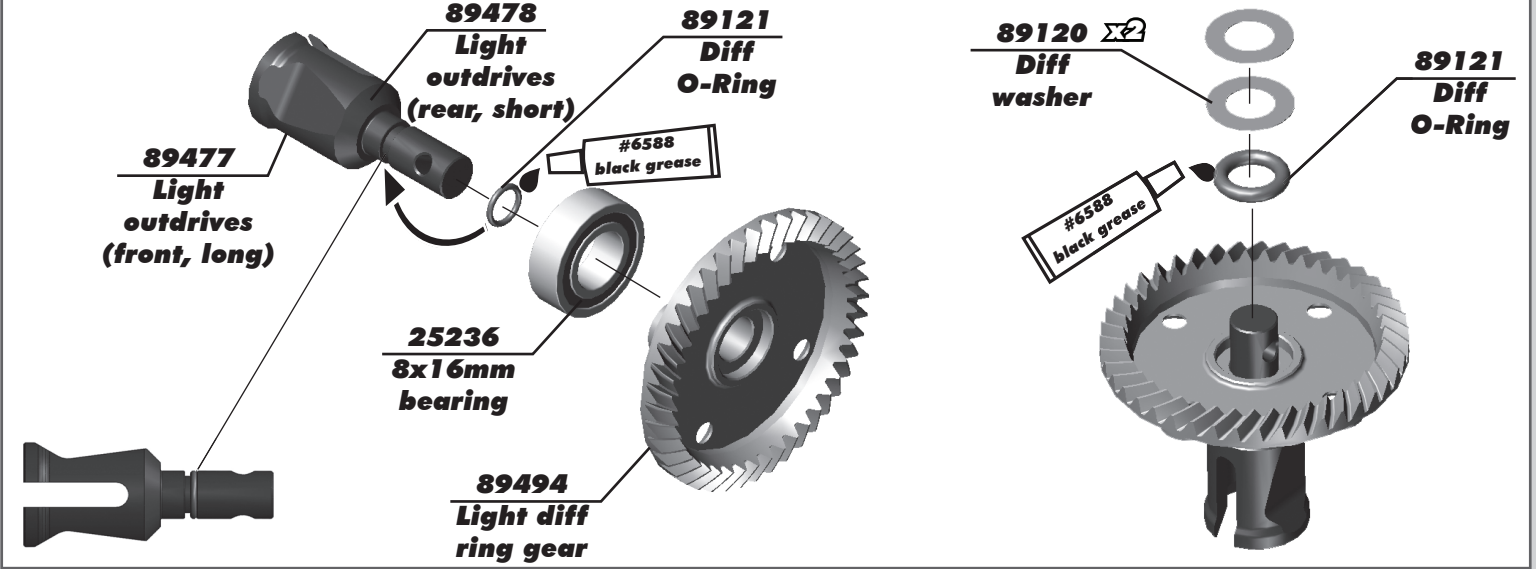
:: Front/Rear Differential Assembly (cont.) - Bag C



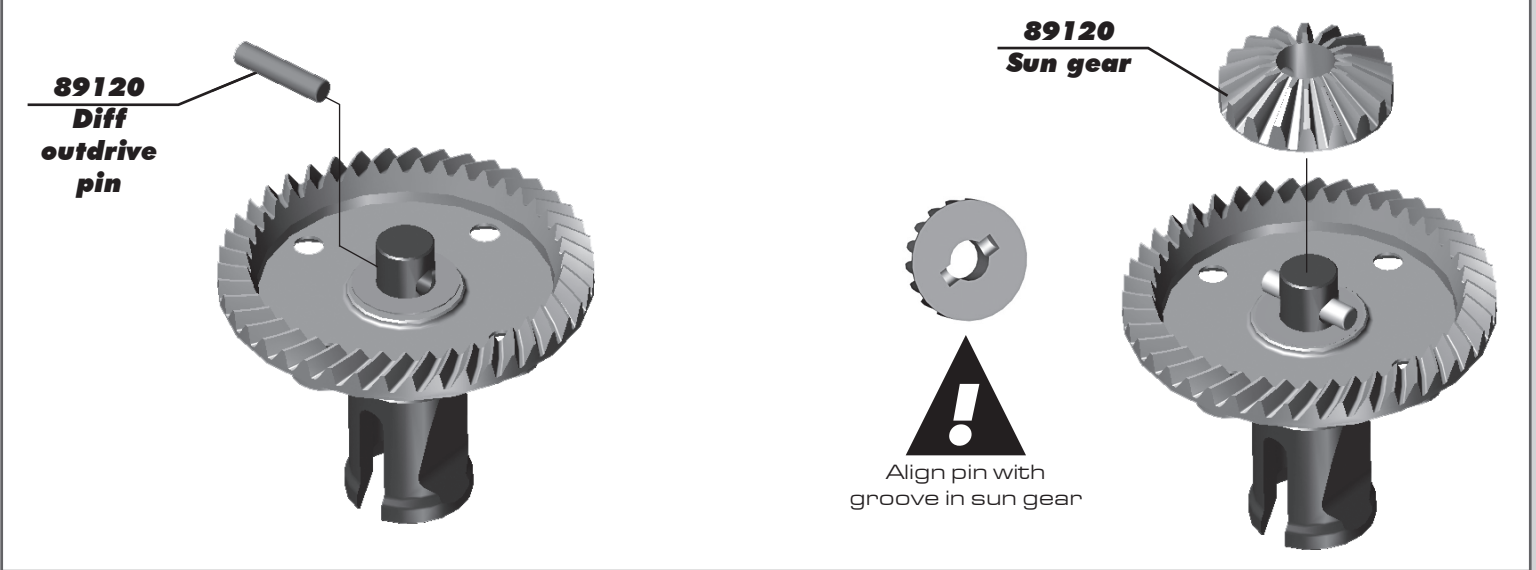
:: Front/Rear Differential Assembly (cont.) - Bag C



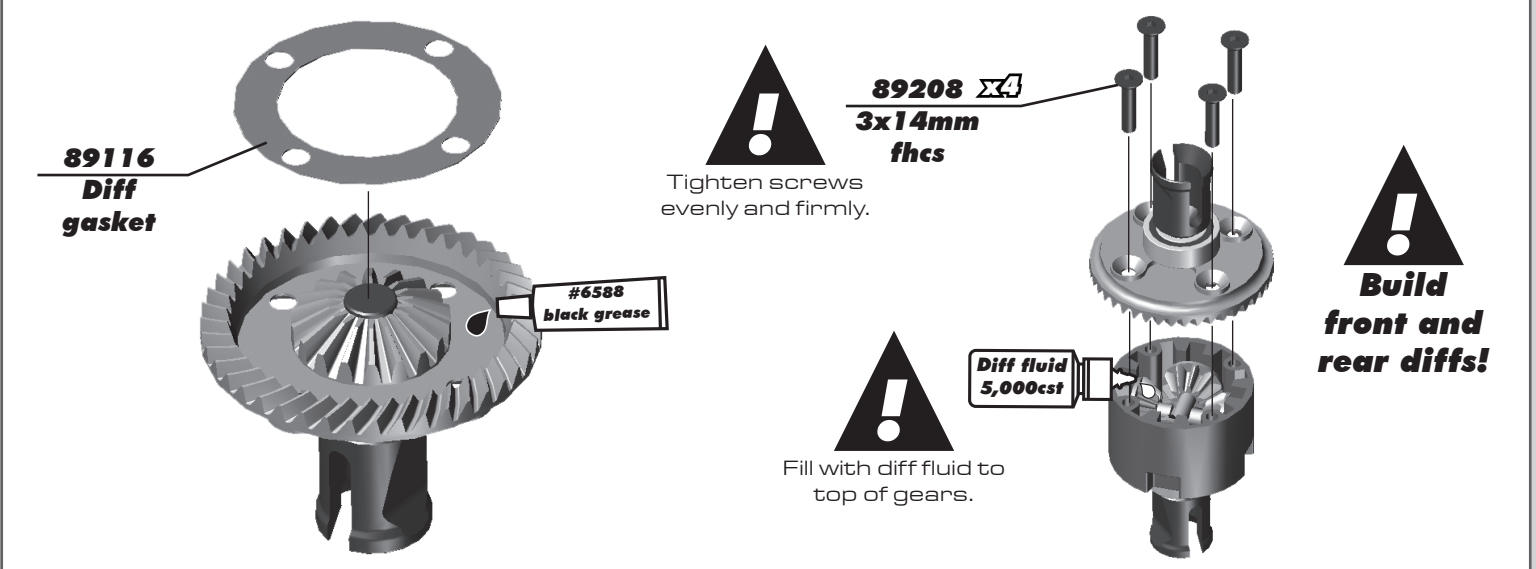
:: Front/Rear Differential Assembly (cont.) - Bag C



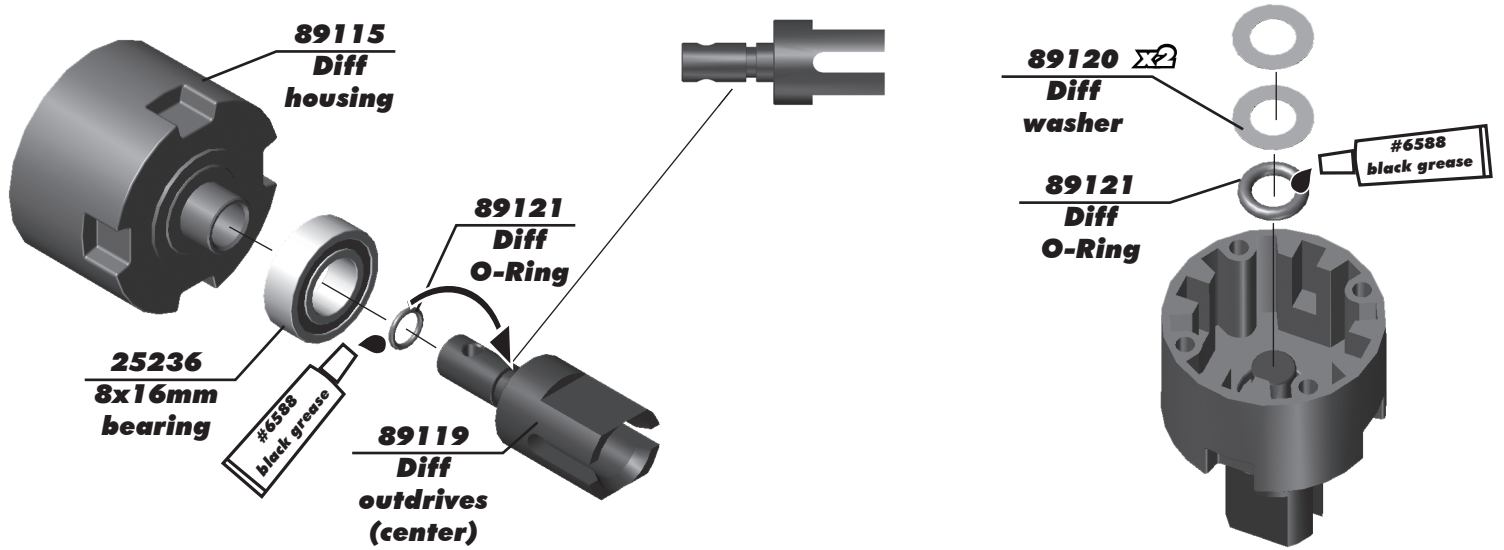
:: Front/Rear Differential Assembly (cont.) - Bag C



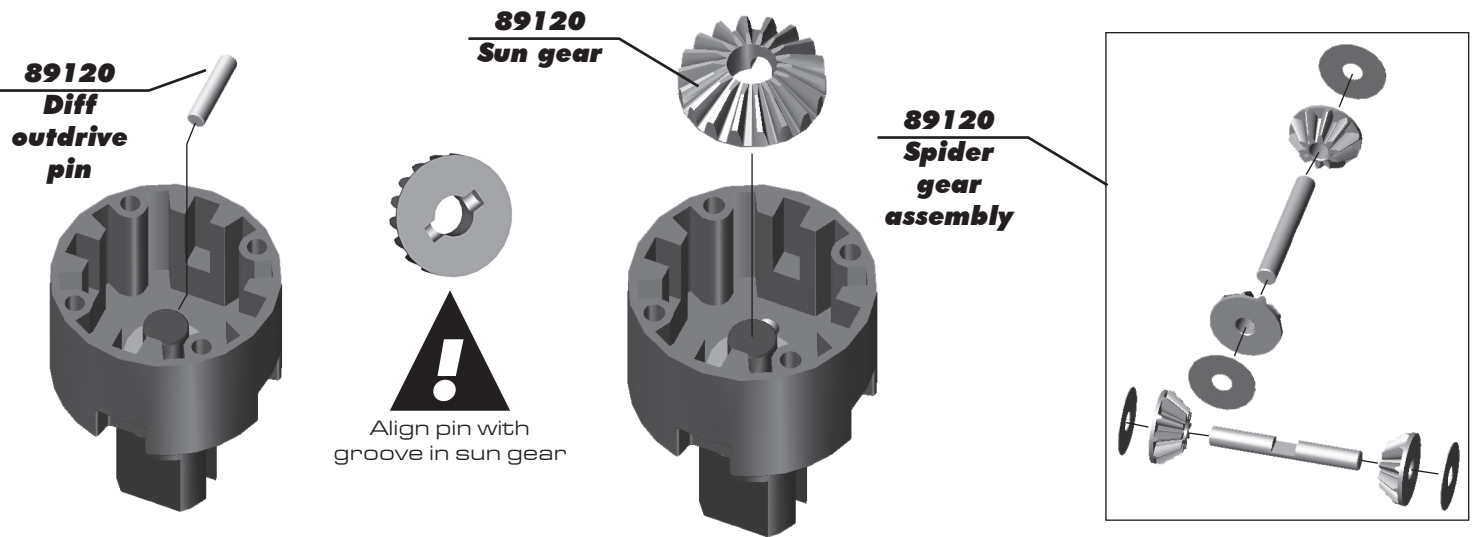
:: Front/Rear Differential Assembly (cont.) - Bag C



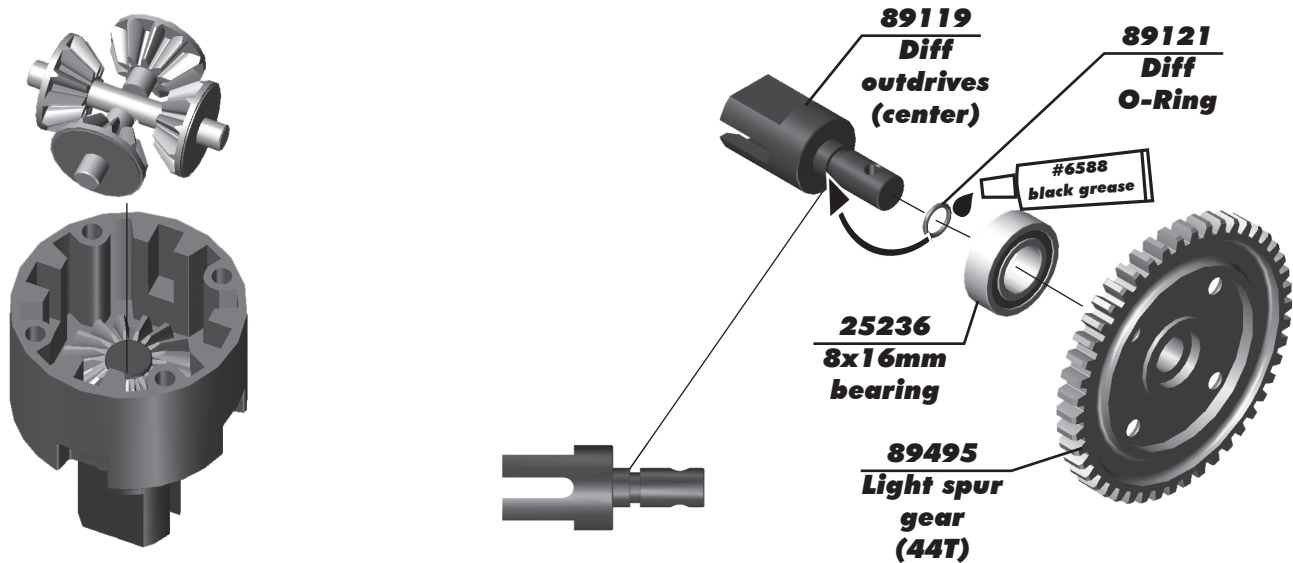
:: Center Differential Assembly - Bag C



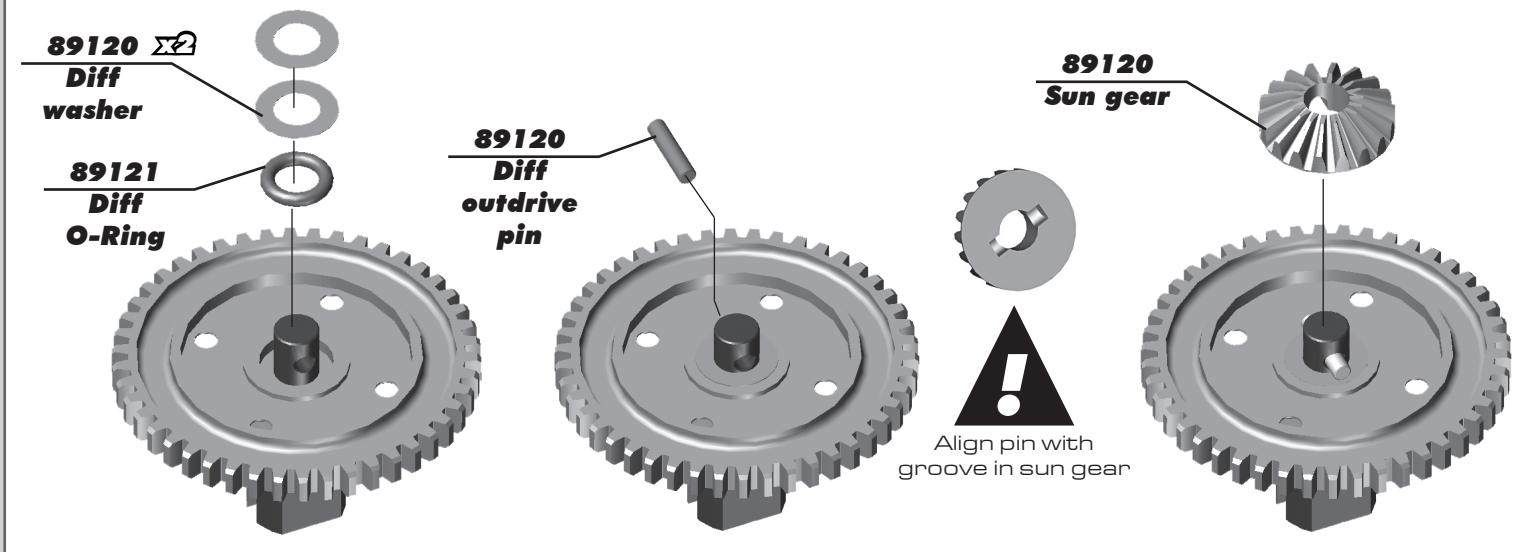
:: Center Differential Assembly (cont.) - Bag C



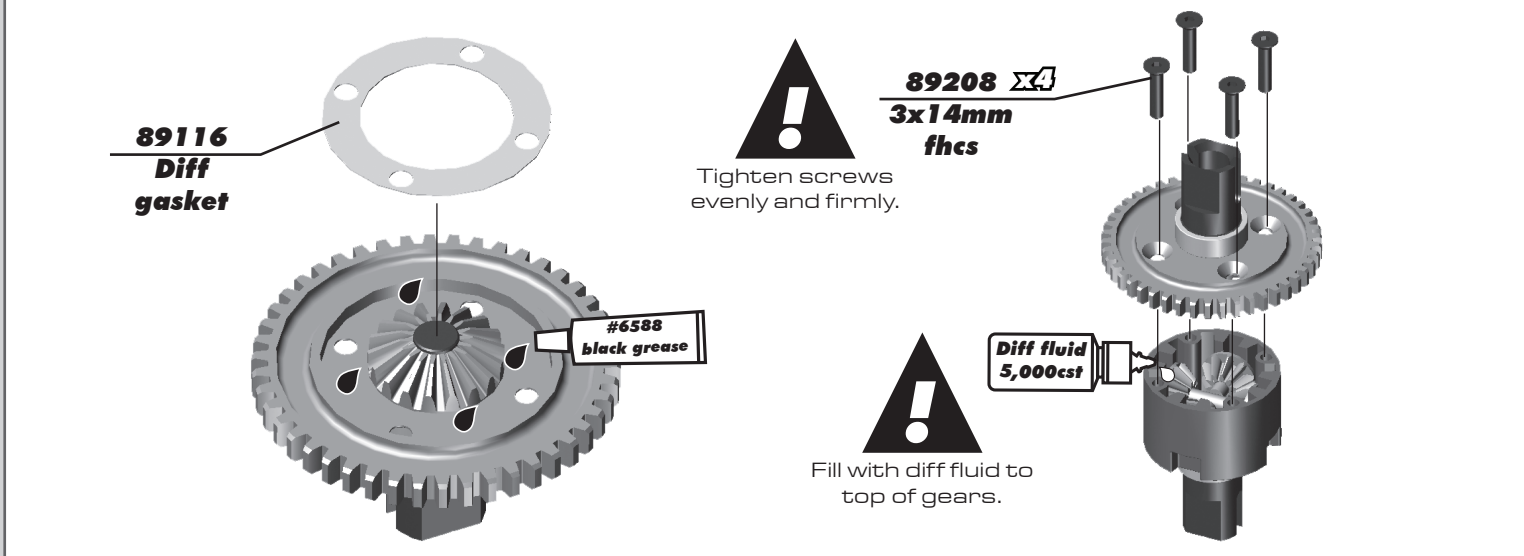
:: Center Differential Assembly (cont.) - Bag C



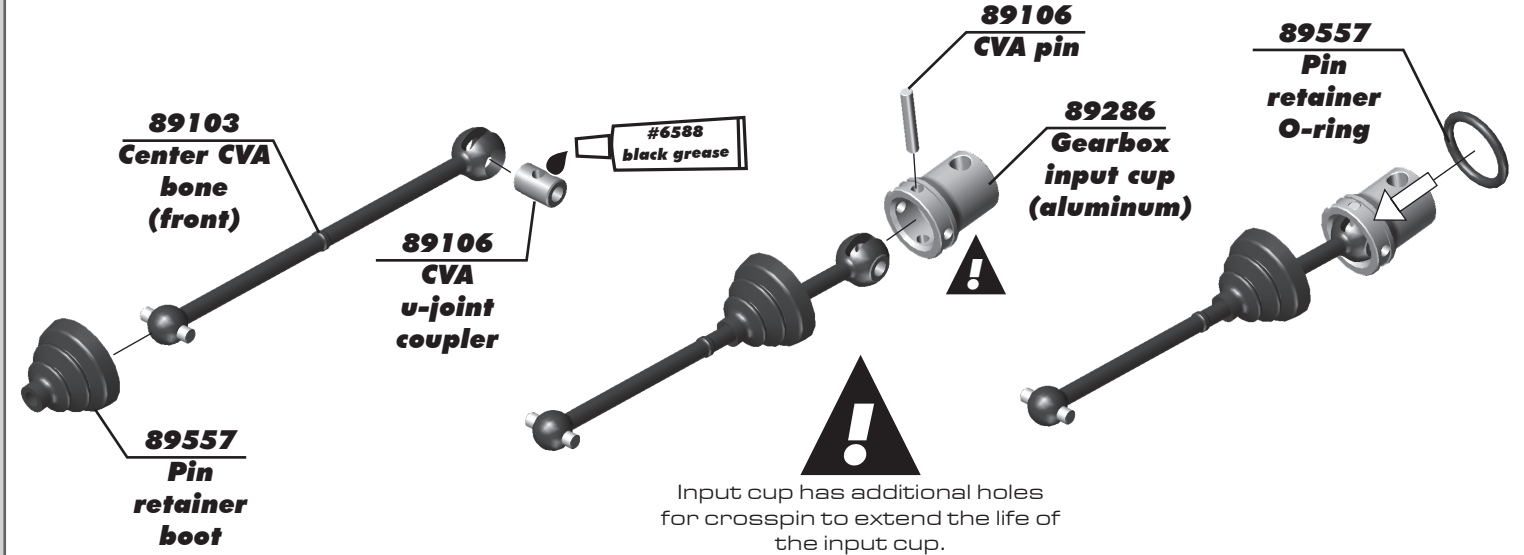
:: Center Differential Assembly (cont.) - Bag C



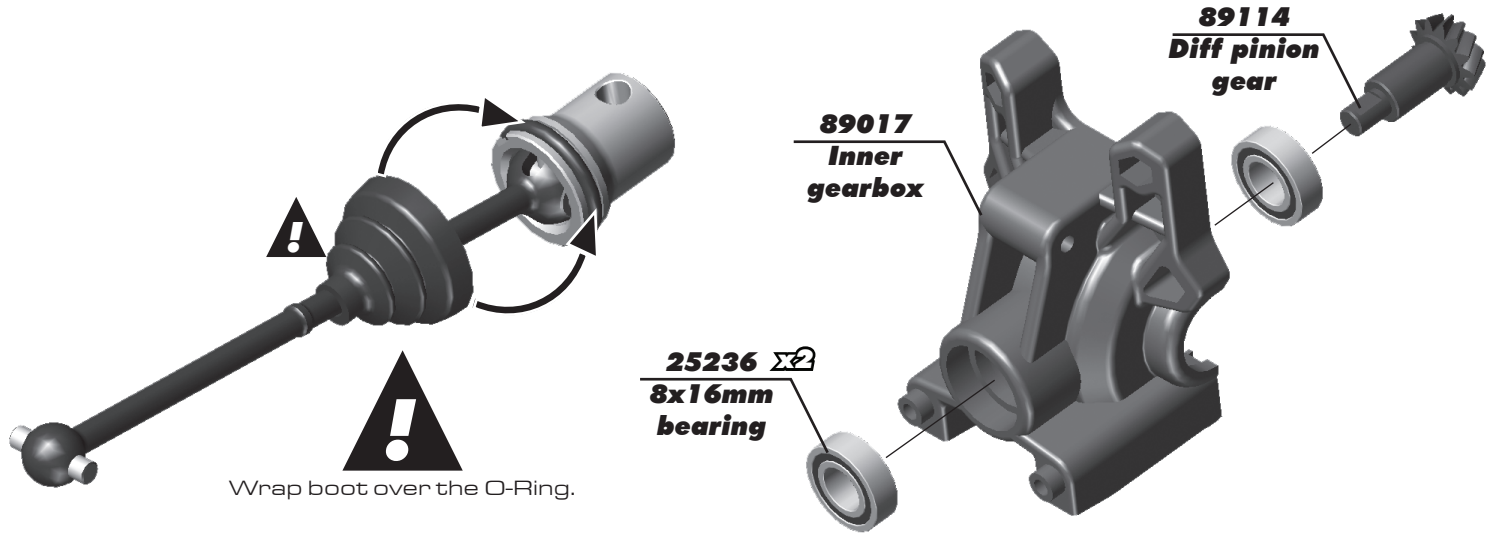
:: Center Differential Assembly (cont.) - Bag C



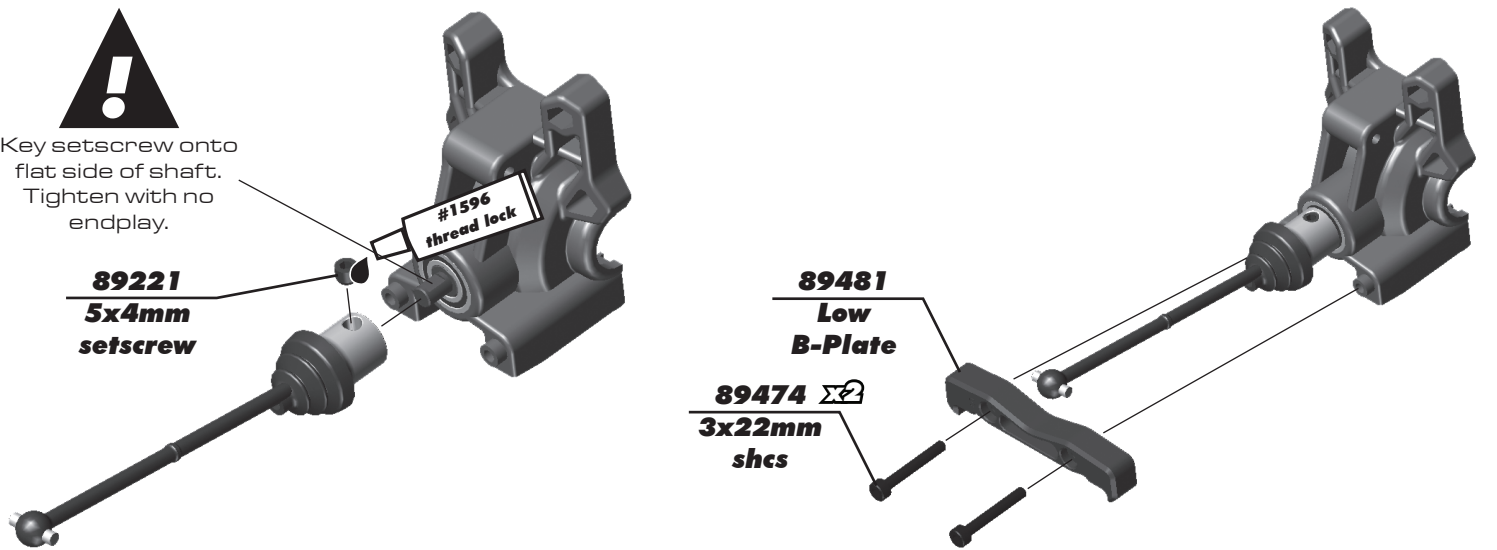
:: Front Bulkhead Assembly - Bag D



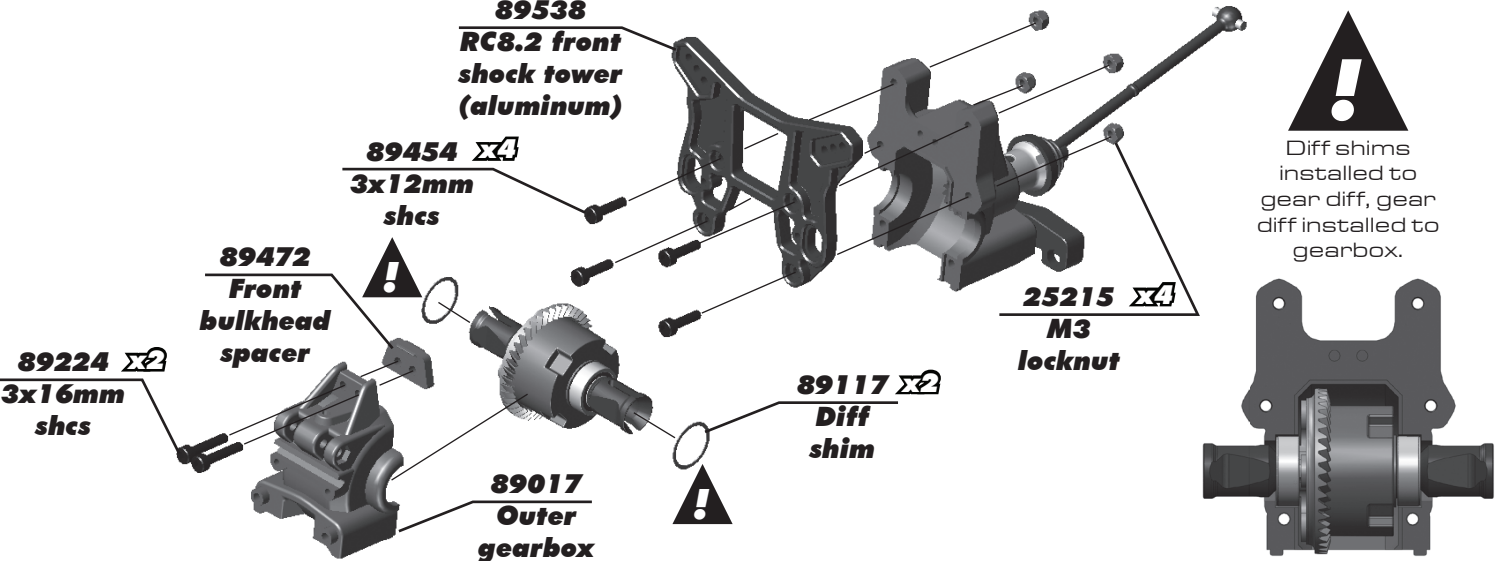
:: Front Bulkhead Assembly (cont.) - Bag D



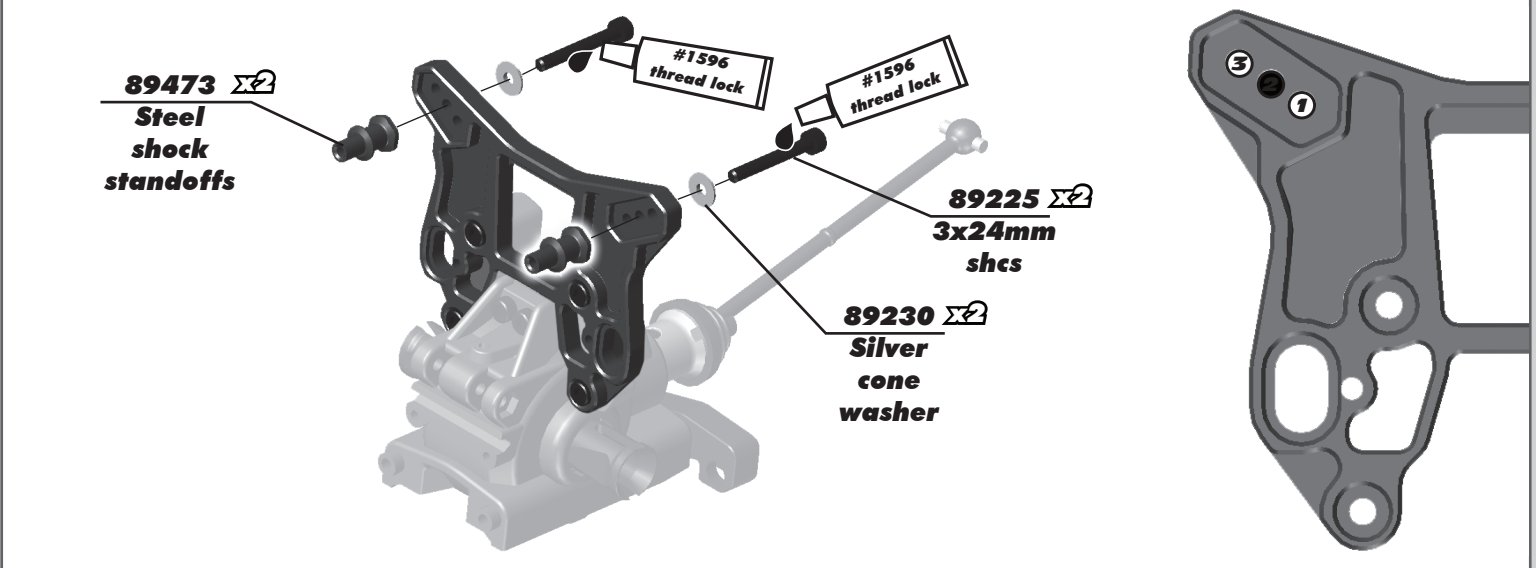
:: Front Bulkhead Assembly (cont.) - Bag D



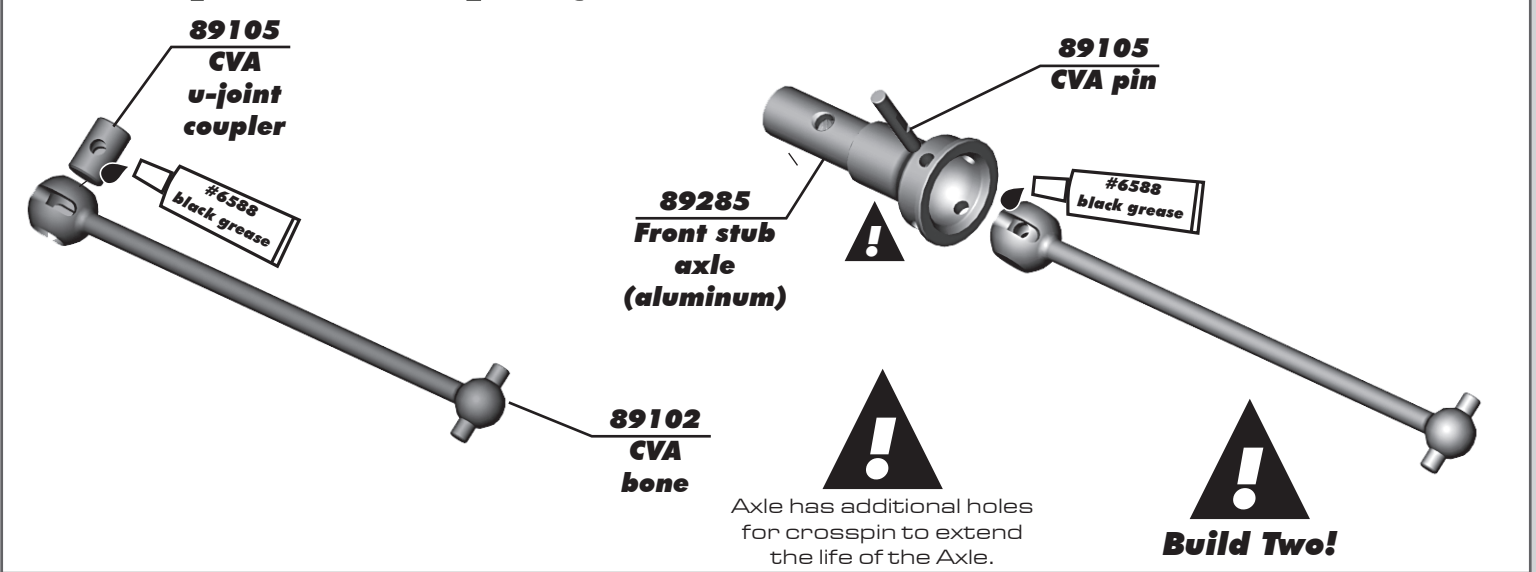
:: Front Bulkhead Assembly (cont.) - Bag D



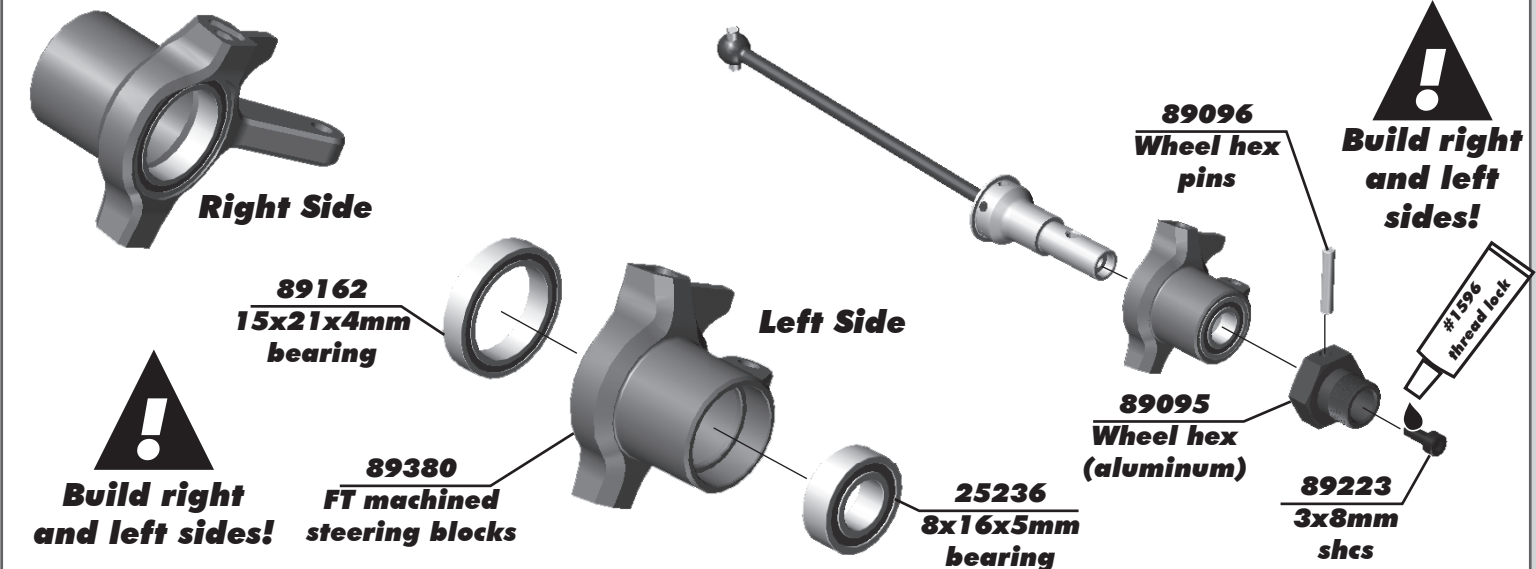
:: Front Bulkhead Assembly (cont.) - Bag D



:: Front Suspension Assembly - Bag E



:: Front Suspension Assembly (cont.) - Bag E



:: Front Suspension Assembly (cont.) - Bag E

#1596 thread lock

89029 Steering block bushing (short)

89206 4x10mm bhcs

89558 RC8.2 caster blocks

#1596 thread lock

89029 Steering block bushing (long)

#1596 thread lock

89207 4x12mm bhcs

#1596 thread lock

Note: One drop only. Spread evenly inside the threads.

Build right and left sides!

Note: Key bushings into steering block.

Do not tighten until bushing is keyed into steering block.

:: Front Suspension Assembly (cont.) - Bag E

89536 RC8.2 swaybar pivot ball

89537 RC8.2 swaybar drop link

89537 RC8.2 swaybar ball joint

25192 3x20mm shcs

89550 RC8.2 front arms

89317 Droop screw

Droop screw placement!

Build Two!

Build right and left sides!

:: Front Suspension Assembly (cont.) - Bag E

89032 16 deg. caster angle bushing (red)

89032 16 deg. caster angle bushing (blue)

31520 2.5x6mm bhcs

89041 Outer hinge pin

Note: direction
 16 deg. blue
 8 deg. red

Build right and left sides!

:: Front Suspension Assembly (cont.) - Bag E

89549 RC8.2 front upper arm

89269 38mm steel turnbuckle

Smooth edge towards drivers side!

89076 Camber rod ends

89230 $\Sigma 2$ Silver cone washer

25215 M3 locknut

89225 3x24mm shcs

8mm

Side view

Build right and left sides!

:: Front Suspension Assembly (cont.) - Bag E

hinge pin bushing
2 dot up

89553 $\Sigma 2$ RC8.2 inner hinge pins (front)

89039 $\Sigma 2$ Hinge pin bushings (two dot)

89230 $\Sigma 2$ Silver cone washer

89279 $\Sigma 2$ 3x45mm shcs

89460 Aluminum A-plate

89482 $\Sigma 2$ Low B-plate insert

:: Front Suspension Assembly (cont.) - Bag E

25225 $\Sigma 2$ 3x3mm setscrew

#1596 thread lock

89533 RC8.2 FR swaybar 2.3 (white)

31531 $\Sigma 2$ 3x6mm bhcs

89017 Swaybar mount

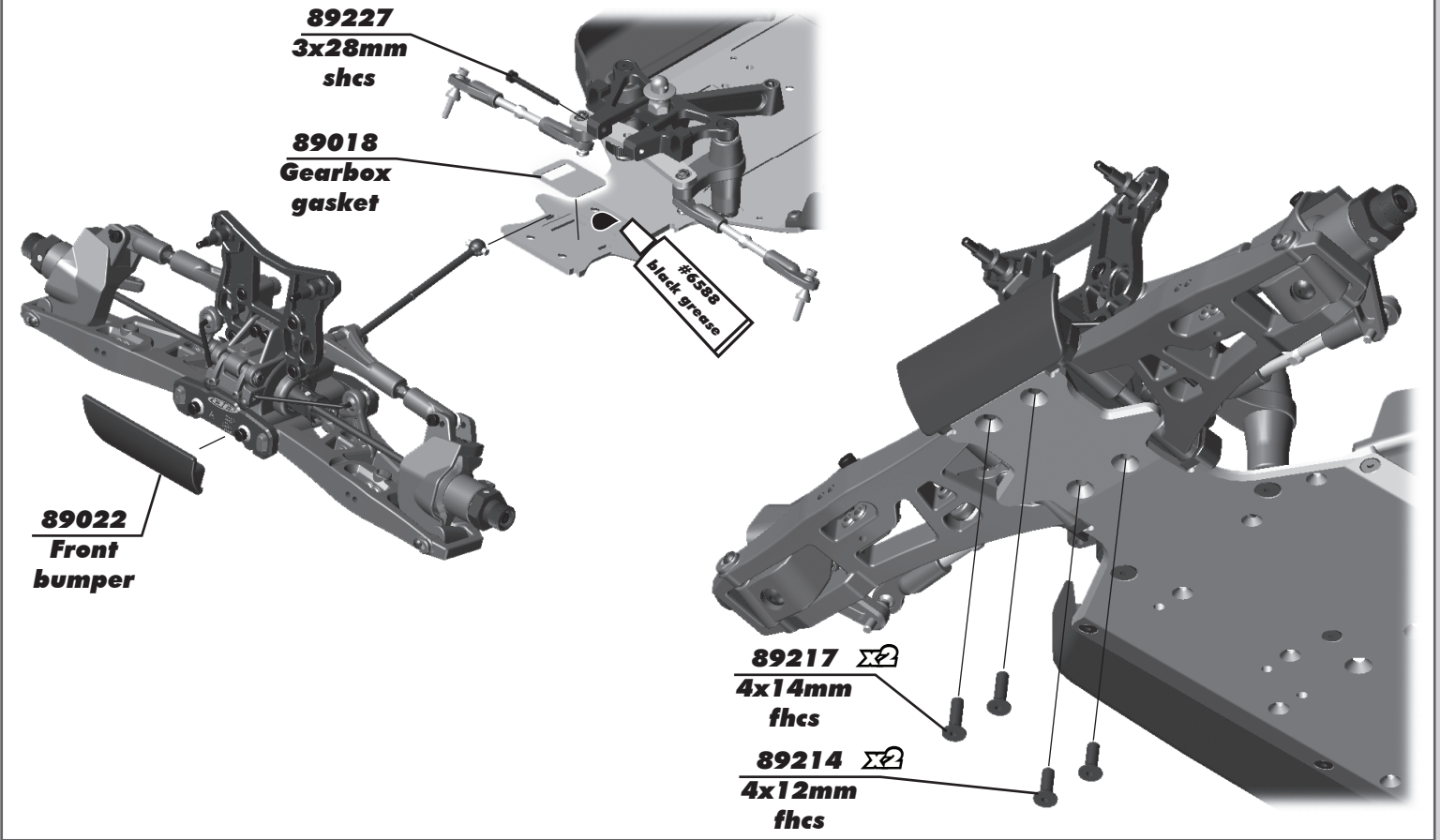
89219 $\Sigma 2$ 3x5mm setscrew

89227 3x28mm shcs

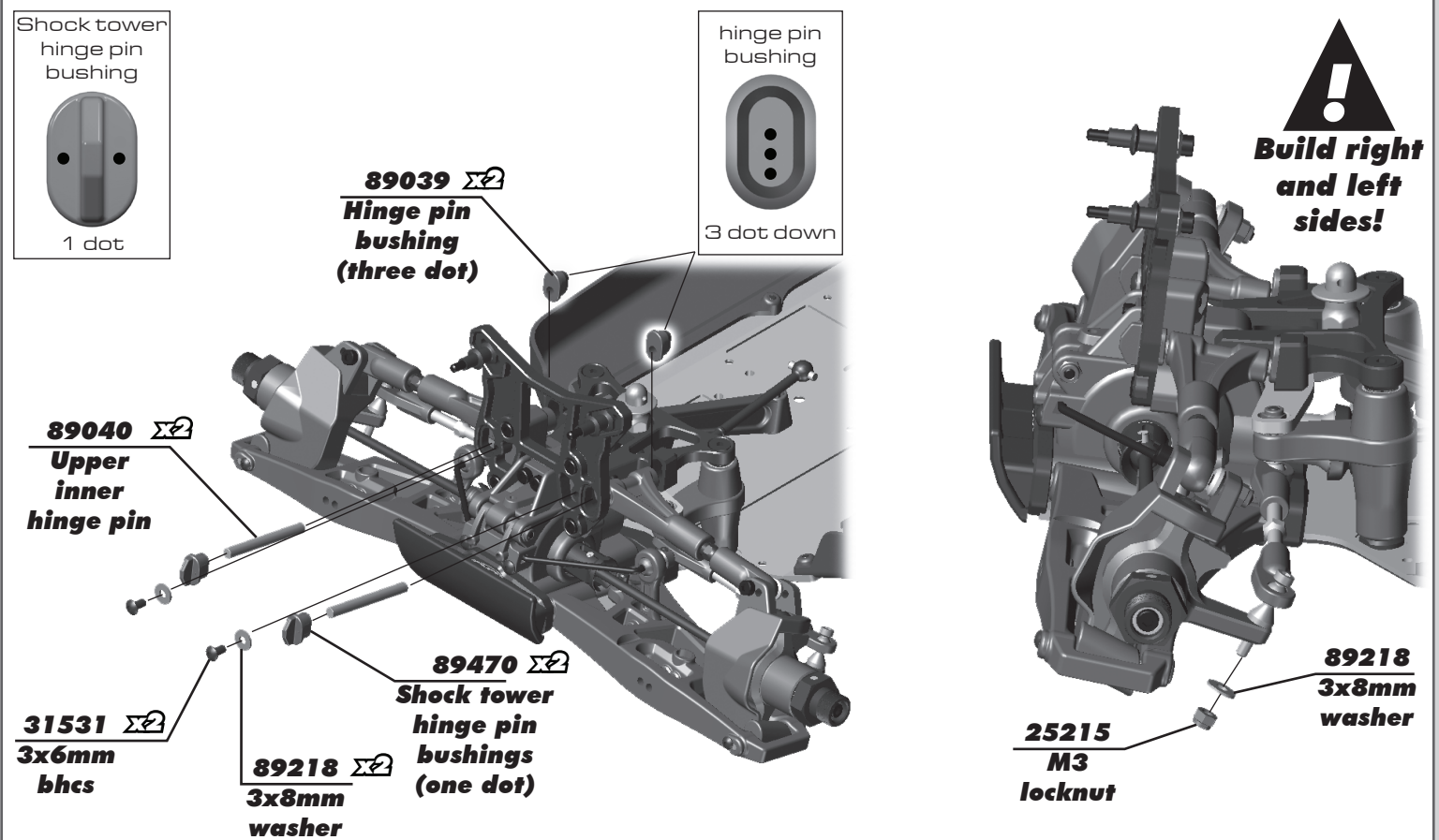
25215 M3 locknut

Tighten screws to remove free play but ensure some movement.

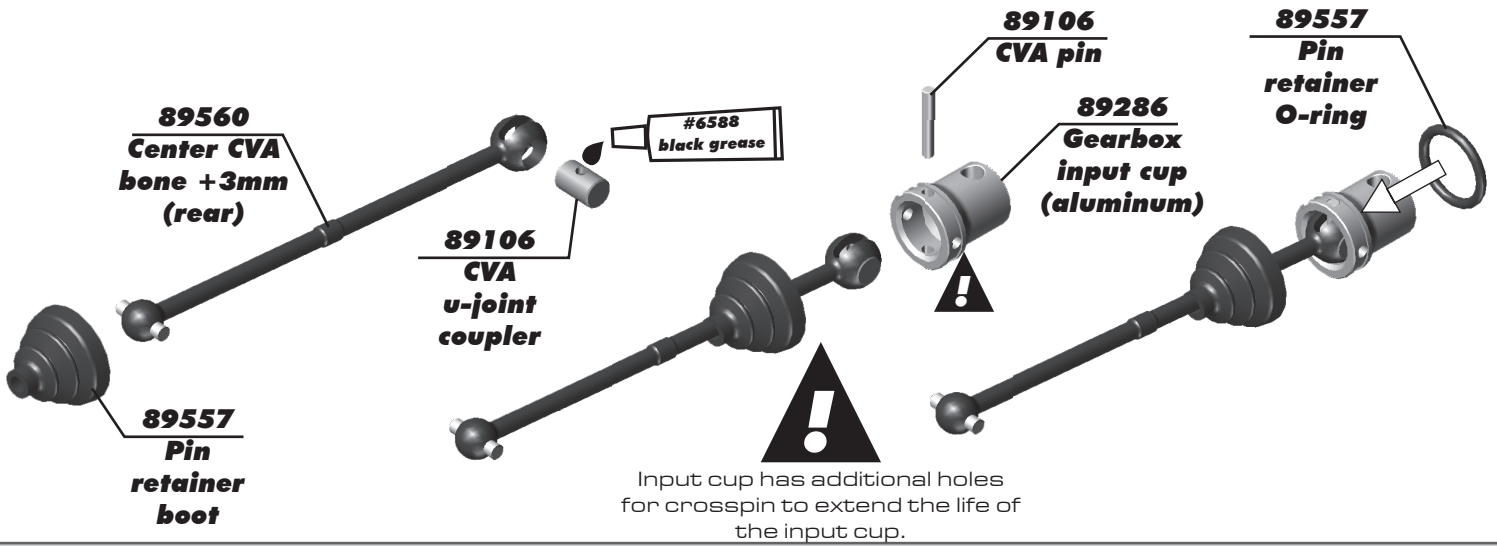
:: Front Suspension Assembly (cont.) - Bag E



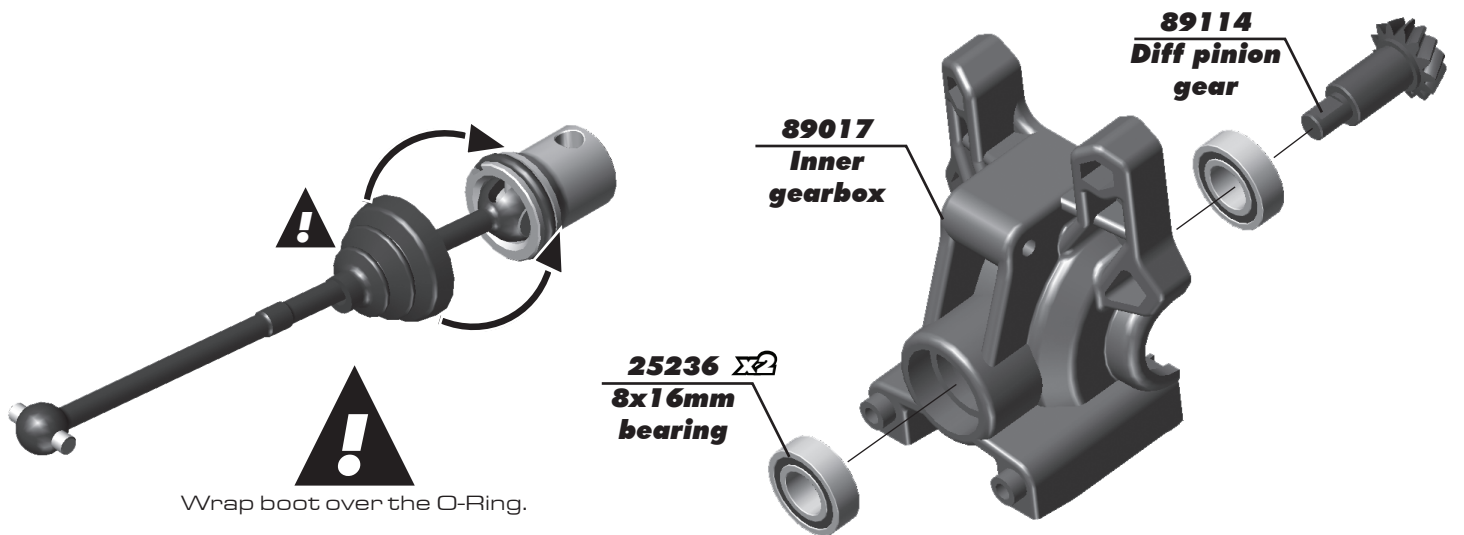
:: Front Suspension Assembly (cont.) - Bag E



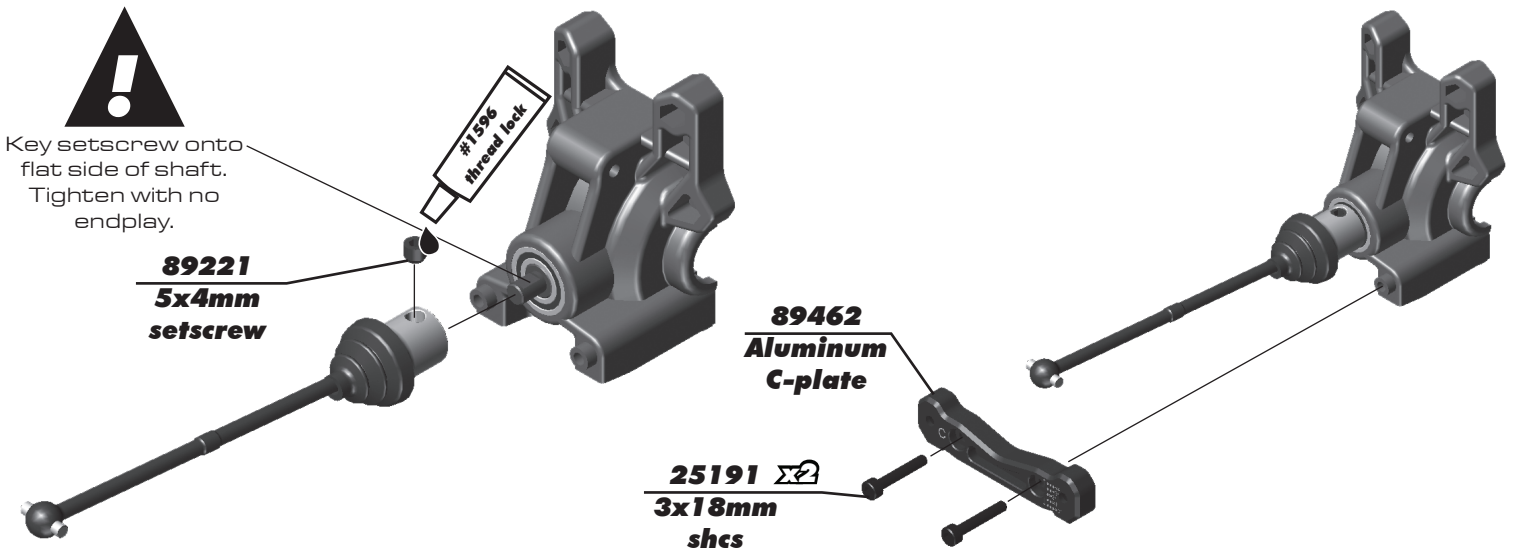
:: Rear Bulkhead Assembly - Bag F



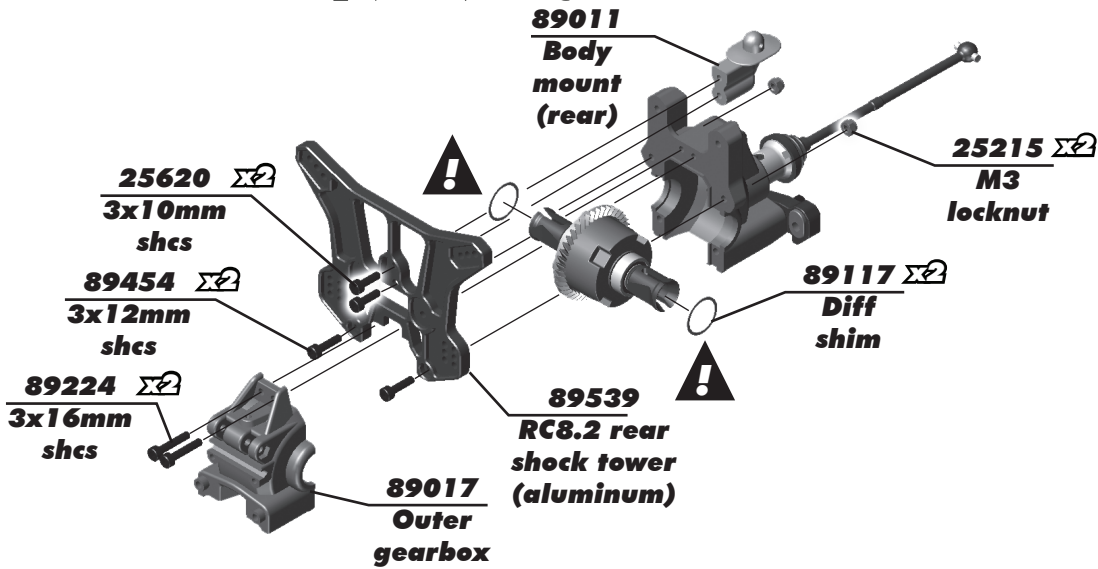
:: Rear Bulkhead Assembly (cont.) - Bag F



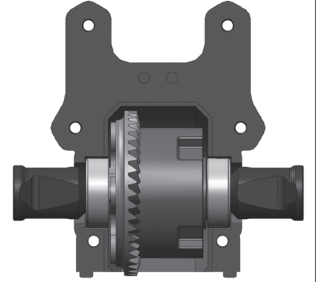
:: Rear Bulkhead Assembly (cont.) - Bag F



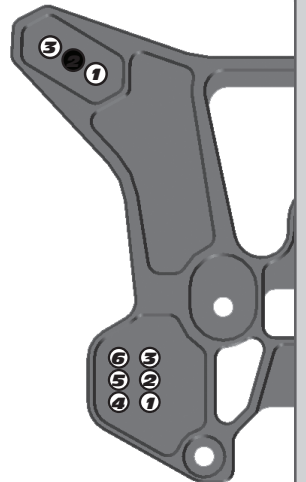
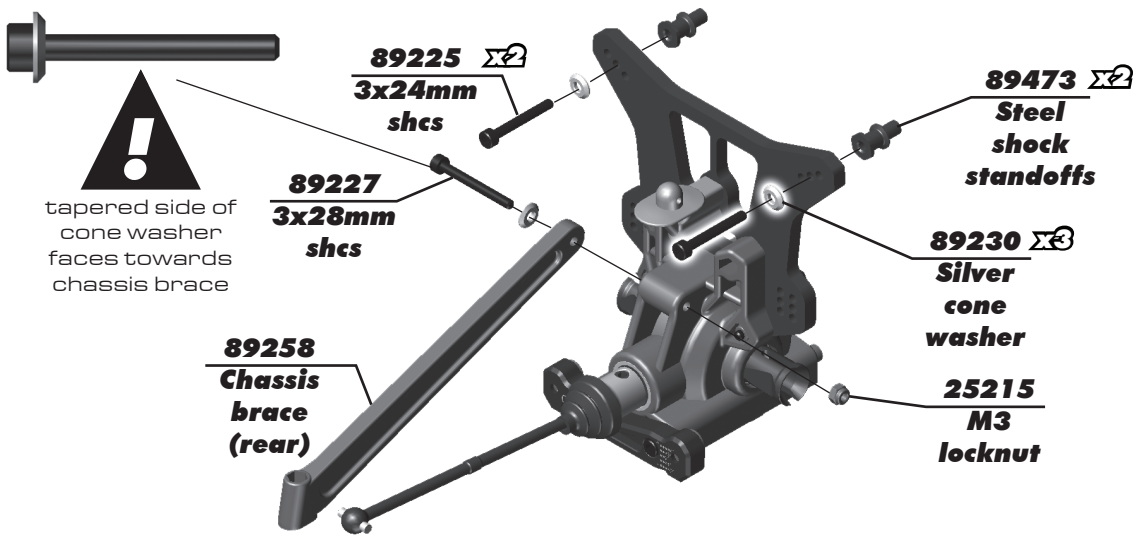
:: Rear Bulkhead Assembly (cont.) - Bag F



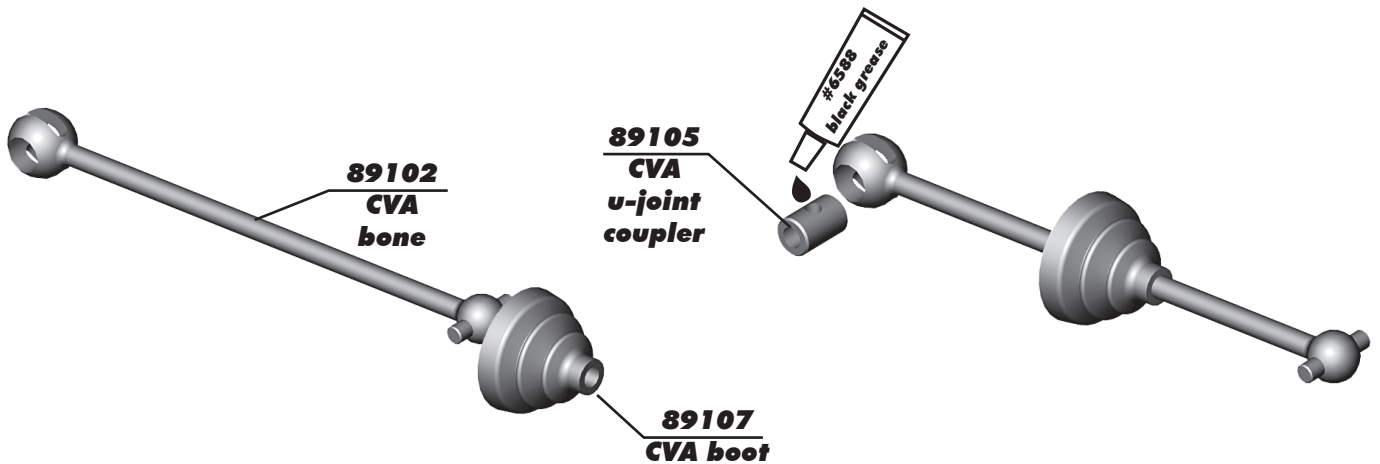
!
 Diff shims installed to gear diff, gear diff installed to gearbox.



:: Rear Bulkhead Assembly (cont.) - Bag F



:: Rear Suspension Assembly - Bag G



:: Rear Suspension Assembly (cont.) - Bag G

89105
CVA pin
(fr/rr)

89284
Rear stub
axle
(aluminum)

! Axle has additional holes for crosspin to extend the life of the Axle.

Build Two!

:: Rear Suspension Assembly (cont.) - Bag G

89162
15x21mm
bearing

89033
hub
carrier

25236
8x16mm
bearing

89107
Bearing
shield

**Build right
and left
sides!**

:: Rear Suspension Assembly (cont.) - Bag G

89096
Wheel hex
pins

89095
Wheel hex
(aluminum)

89223
3x8mm
shcs

#1596
Thread lock

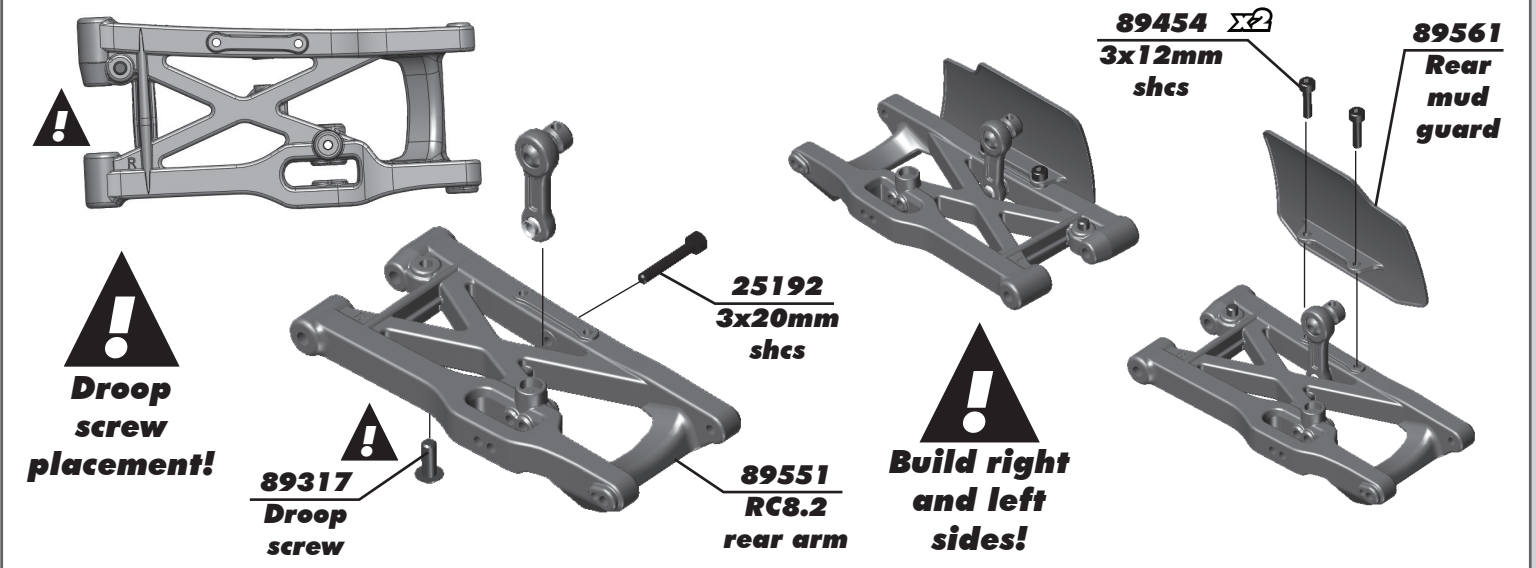
89536
RC8.2
swaybar
pivot ball

89537
RC8.2
swaybar
drop link

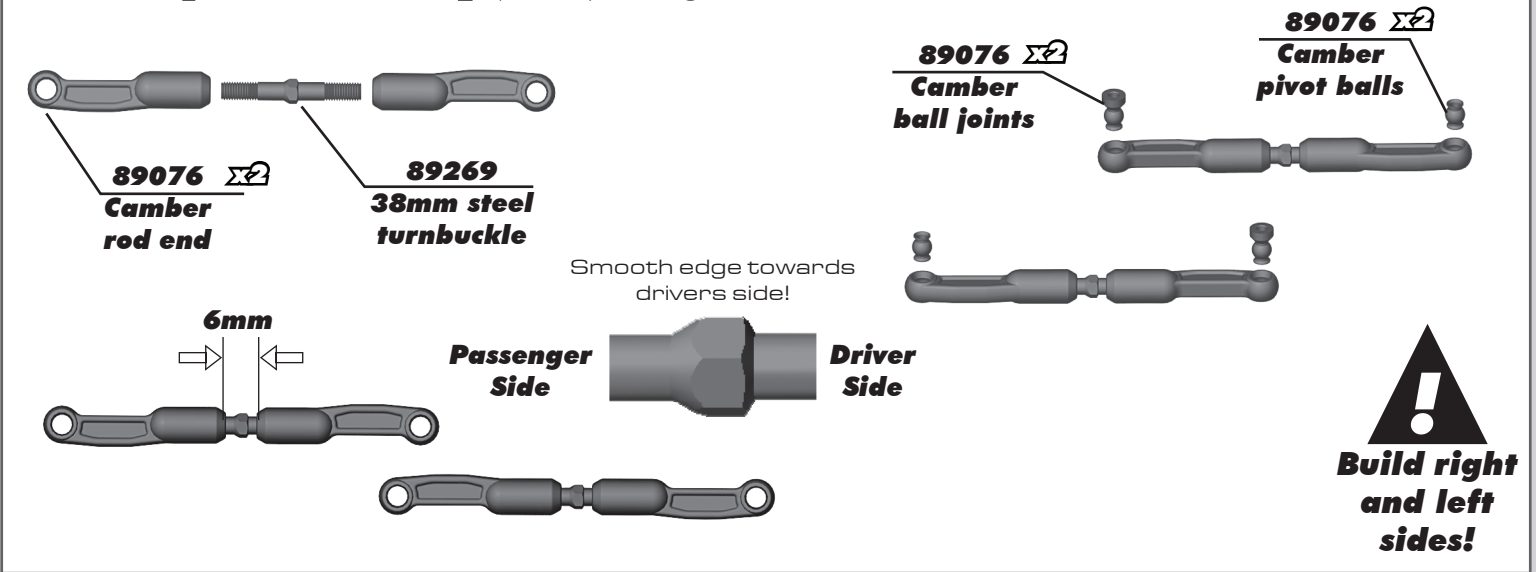
**Build right
and left
sides!**

Build Two!

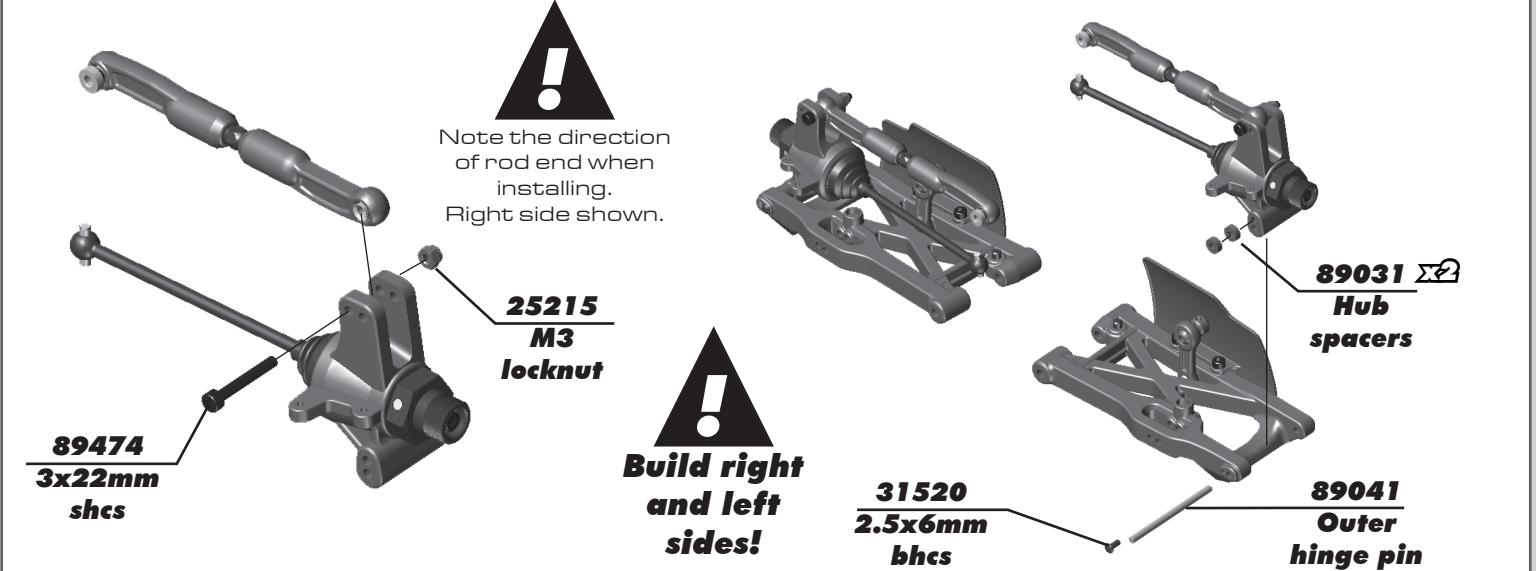
:: Rear Suspension Assembly (cont.) - Bag G



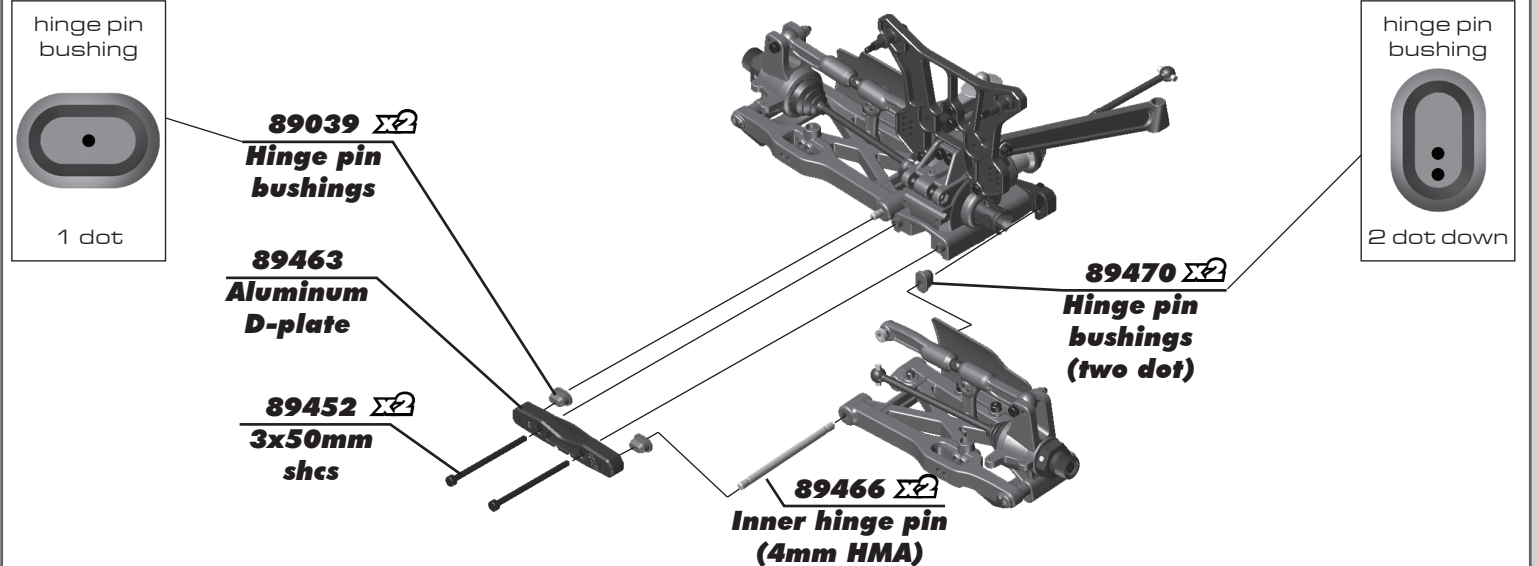
:: Rear Suspension Assembly (cont.) - Bag G



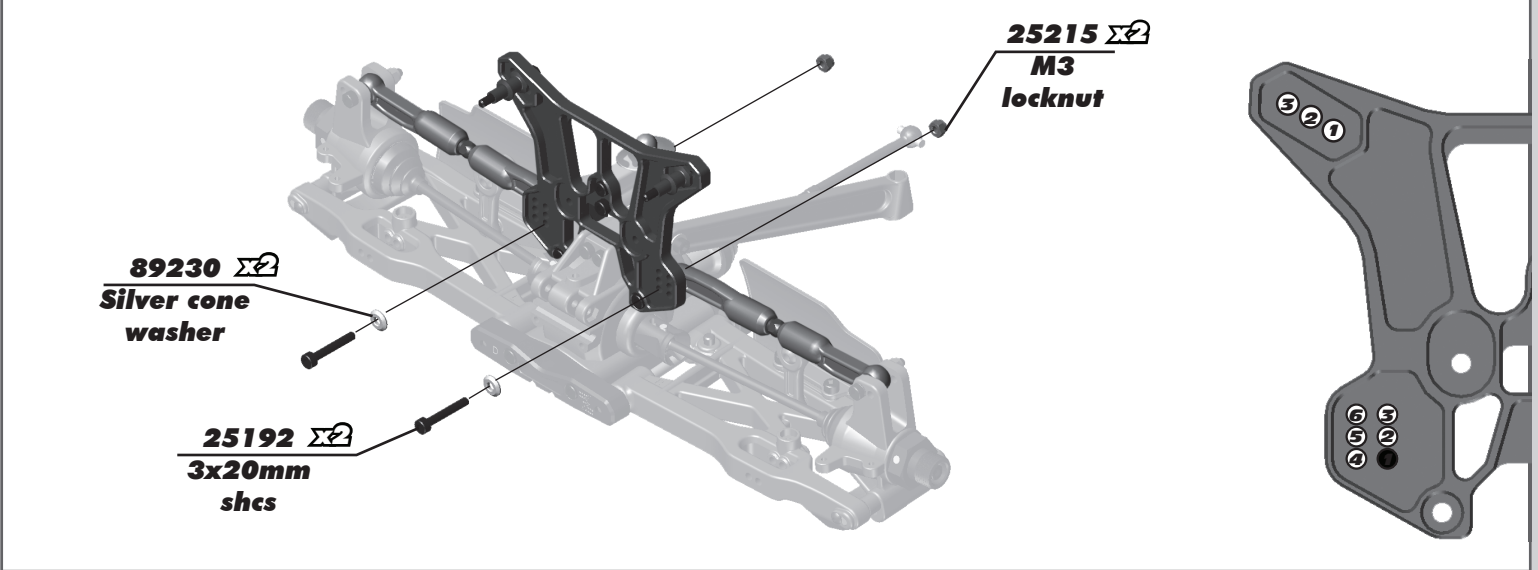
:: Rear Suspension Assembly (cont.) - Bag G



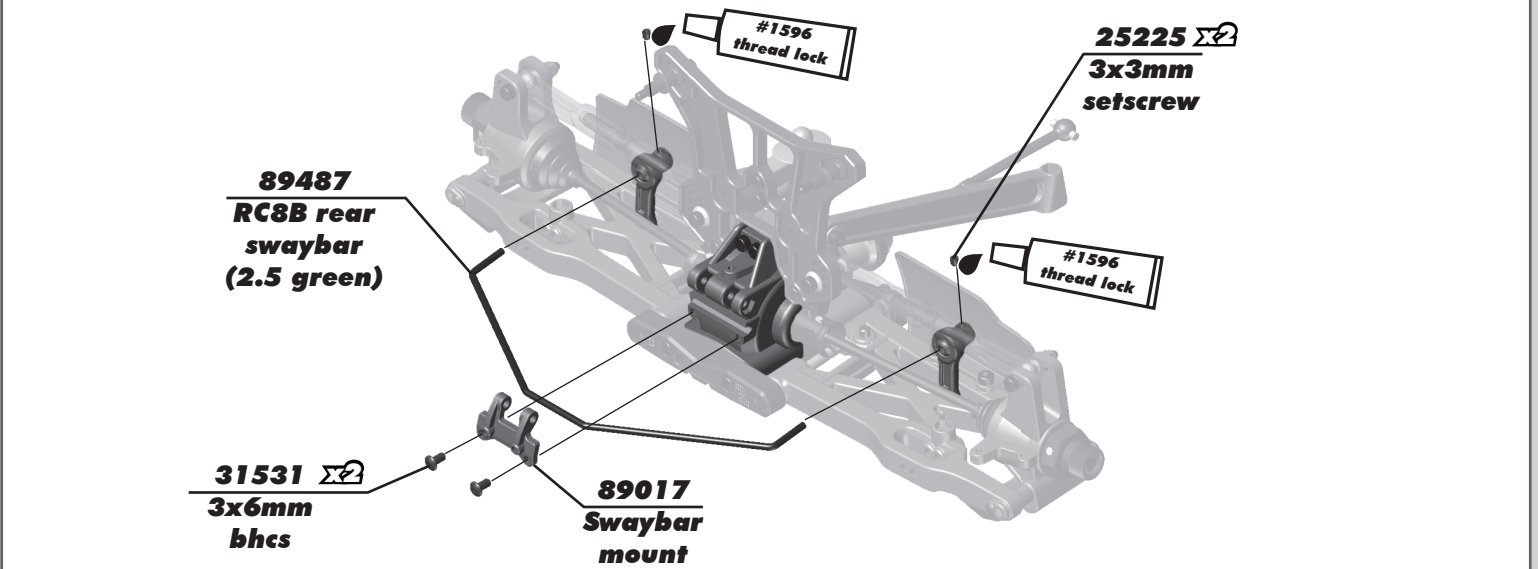
:: Rear Suspension Assembly (cont.) - Bag G



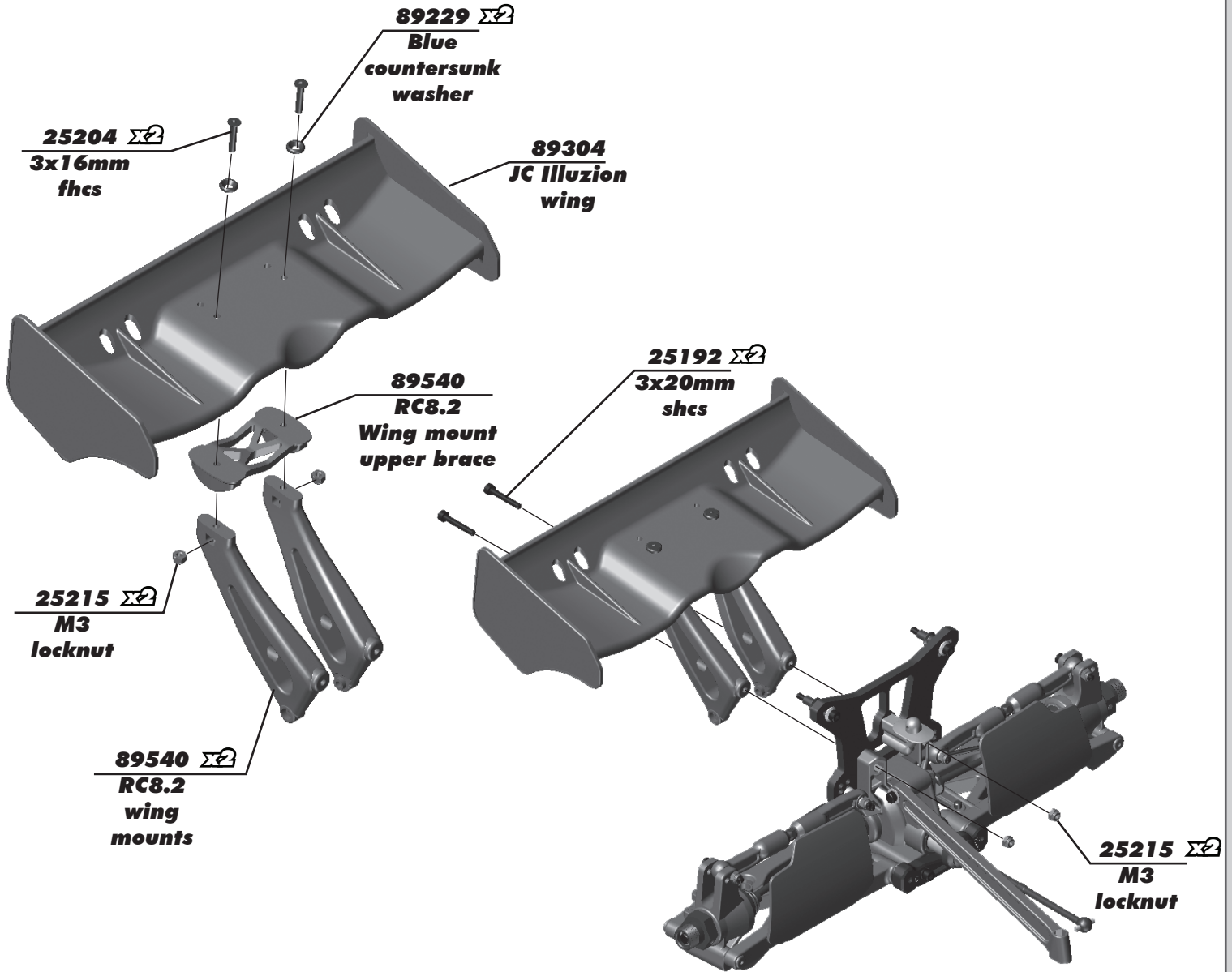
::: Rear Suspension Assembly (cont.) - Bag G



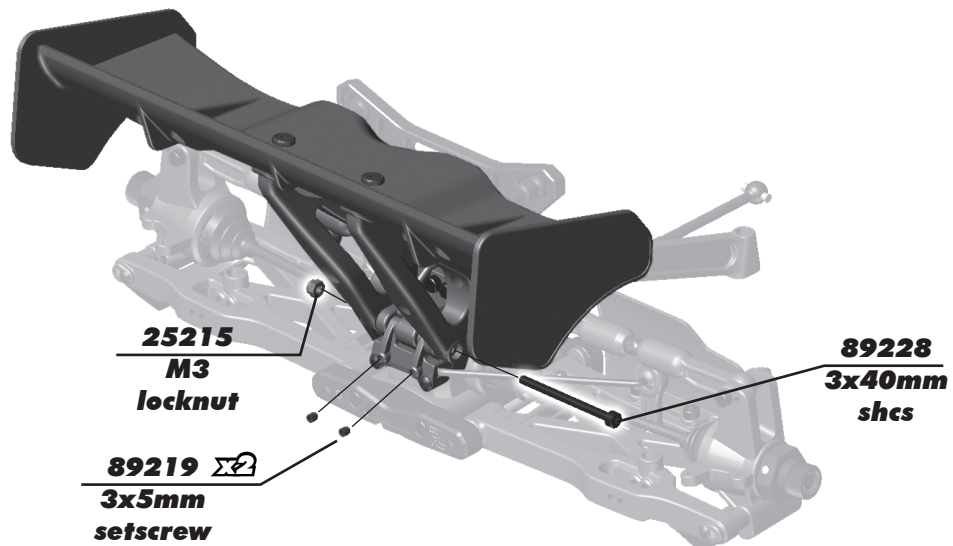
::: Rear Suspension Assembly (cont.) - Bag G



:: Wing Assembly - Bag H

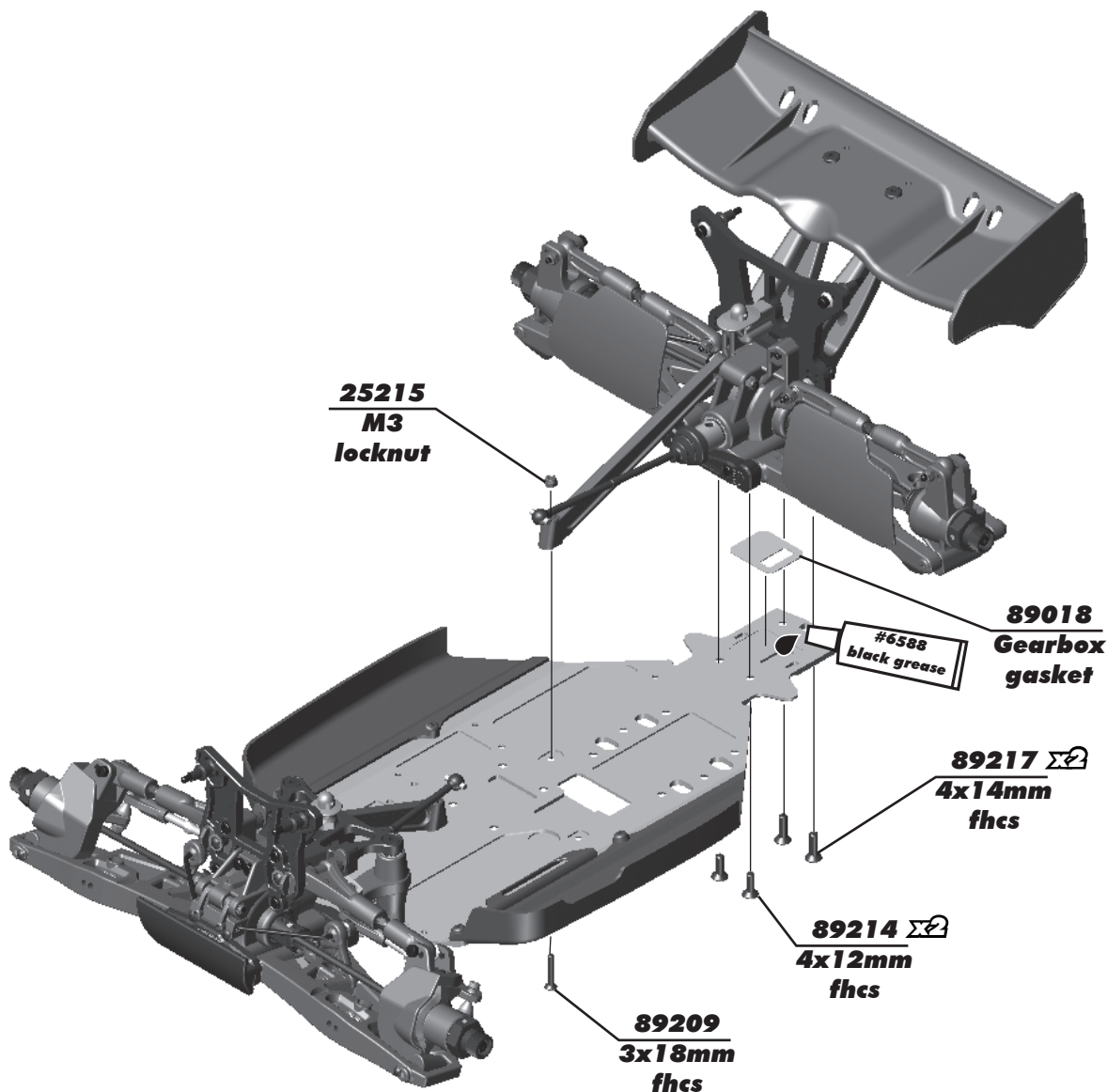


:: Wing Assembly (cont.) - Bag H

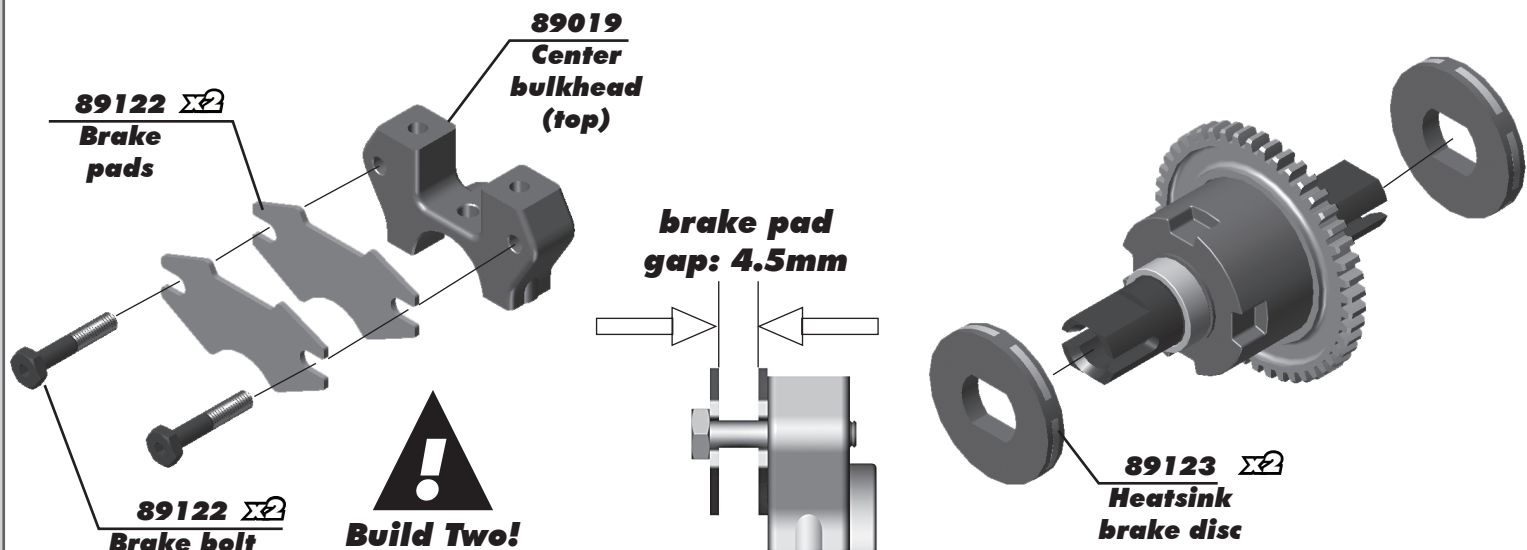


Tighten screws to remove free play but ensure some movement.

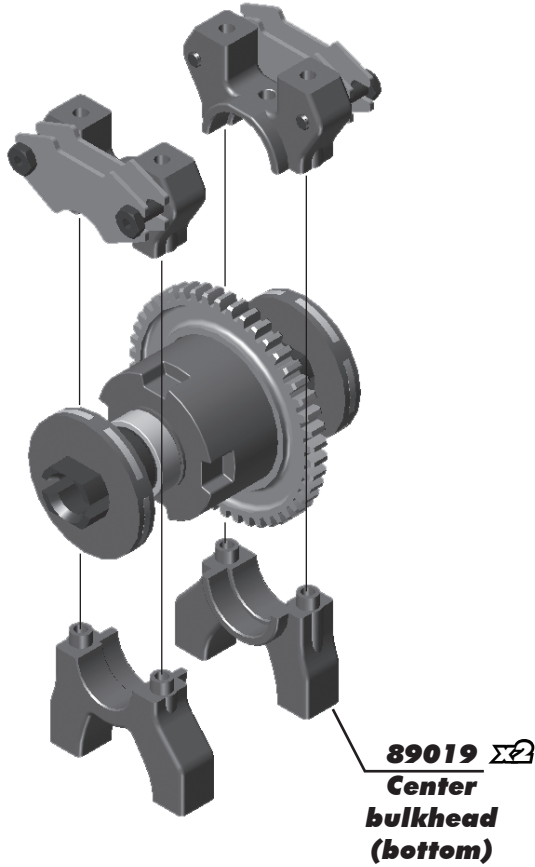
:: Rear Clip Install - Bag H



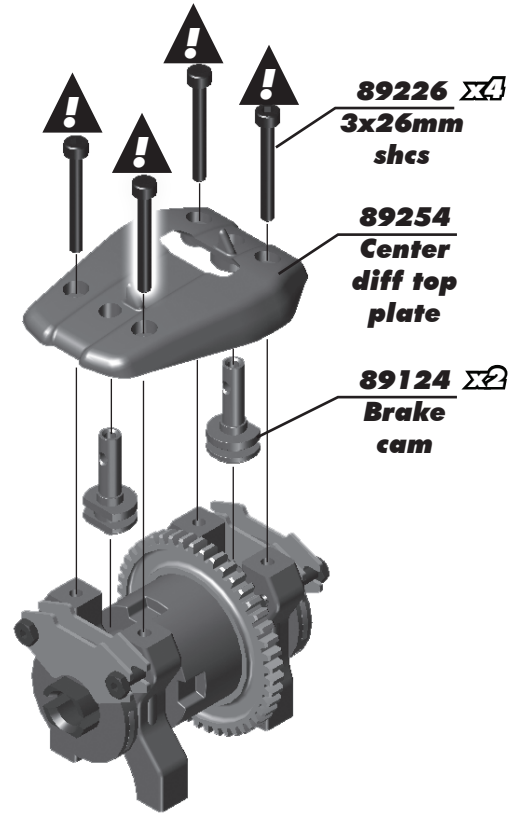
:: Center Bulkhead Assembly - Bag I



:: Center Bulkhead Assembly (cont.) - Bag I

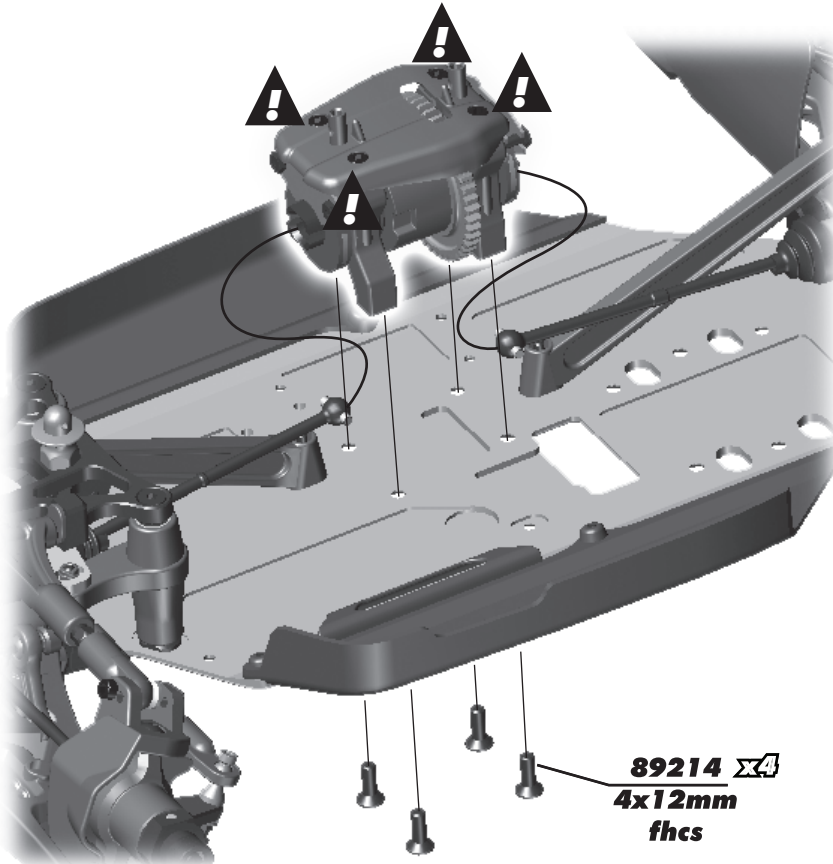


!
Do not tighten #89226 3x26mm shcs completely until the next step!



:: Center Bulkhead Assembly (cont.) - Bag I

!
Tighten all screws after bottom screws have been installed!



!
Install CVA bones into center diff outdrives!

:: Shocks Assembly - Bag J

89066 **Shock O-rings**

89352 **Spacer**

89358 **Lower shock tool**

89291 **16x29mm FT shock body (front)**

89344 **16x38mm FT shock body (rear)**

Use the lower shock tool to load the two o-rings and spacer for easy lubing and installation into the shock body

:: Shocks Assembly (cont.) - Bag J

89215 **Locknut (piston)**

89492 **16mm piston 5x1.1 + 5x1.2**

89554 **4x26mm HD shock shaft, front**

89555 **4x36mm HD shock shaft, rear**

89278 **2.5mm piston washer**

89358 **Upper shock tool**

Install piston tapered side down.

89352 **O-Ring**

89352 **Bottom nut**

One drop of shock fluid on threads.

:: Shocks Assembly (cont.) - Bag J

89556 **RC8.2 shock boots (fr/rr)**

Short boots for front shocks.

Long boots for rear shocks.

Fill to top with shock fluid:

Front: 30wt
Rear: 30 wt

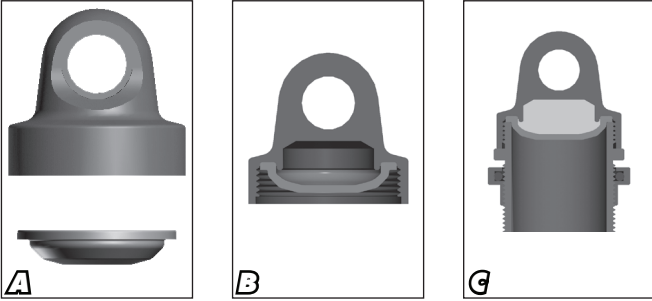
89469 **Shock rod end ball**

89469 **HD shock ends**

RACERS TIP: Try 35 wt or 40wt shock fluid in the front shocks for less aggressive steering.

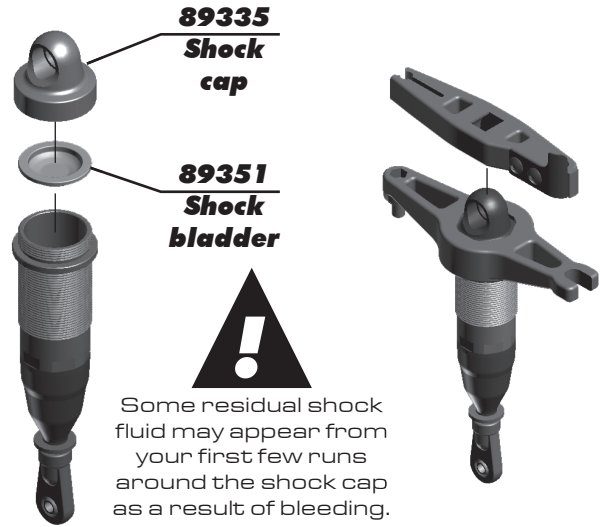
:: Shocks Assembly (cont.) - Bag J

Bladder Installation



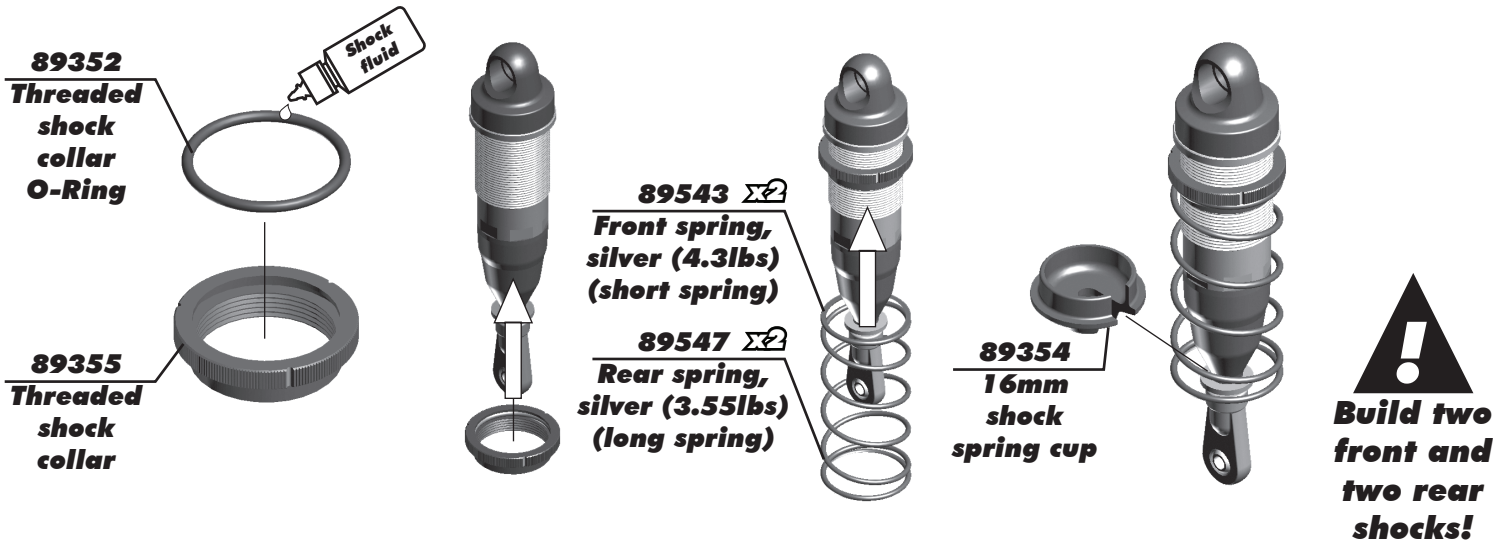
As you install the shock cap with the bladder, it will force out any extra fluid. If you install the cap with the shaft fully extended, you are running FULL REBOUND.

To run less rebound, unthread the cap 1-2 turns and compress the shaft to the desired position and re-tighten the cap with the shaft compressed. Start with no rebound.



Some residual shock fluid may appear from your first few runs around the shock cap as a result of bleeding.

:: Shocks Assembly (cont.) - Bag J



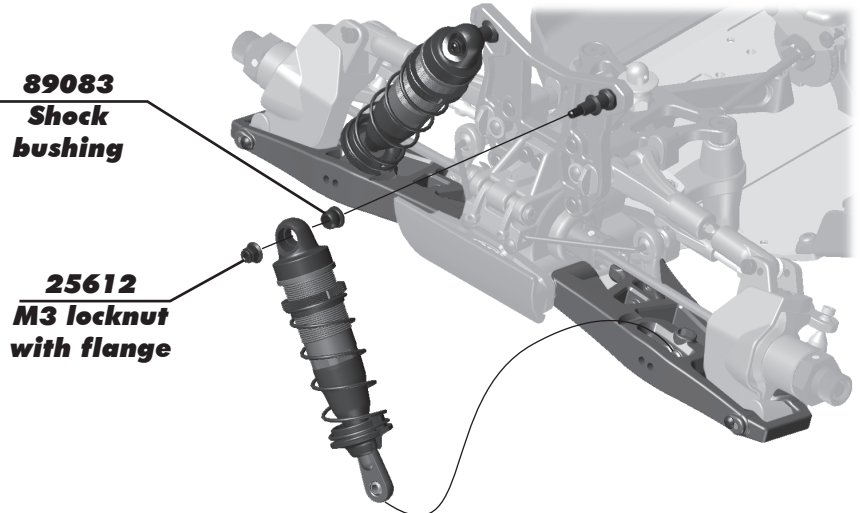
Build two front and two rear shocks!

:: Shocks Assembly (cont.) - Bag J

!
Note the direction of the shock cap when installing onto shock standoffs



!
Install two front shocks.



:: Shocks Assembly (cont.) - Bag J

106mm

**89454
3x12mm
shcs**

**91069
Shock mount
pin, steel**

!
**Install
two front
shocks.**

!
After installation, adjust droop
screw to get a front shock length of
106mm measured center to center
on the shock cap / eyelet.

:: Shocks Assembly (cont.) - Bag J

!
Note the direction
of the shock cap
when installing onto
shock standoffs

!
Note the wing has
been hidden for pic-
ture clarity only.

**89083
Shock
bushing**

**25612
M3 locknut
with flange**

!
**Install
two rear
shocks.**

:: Shocks Assembly (cont.) - Bag J

122mm

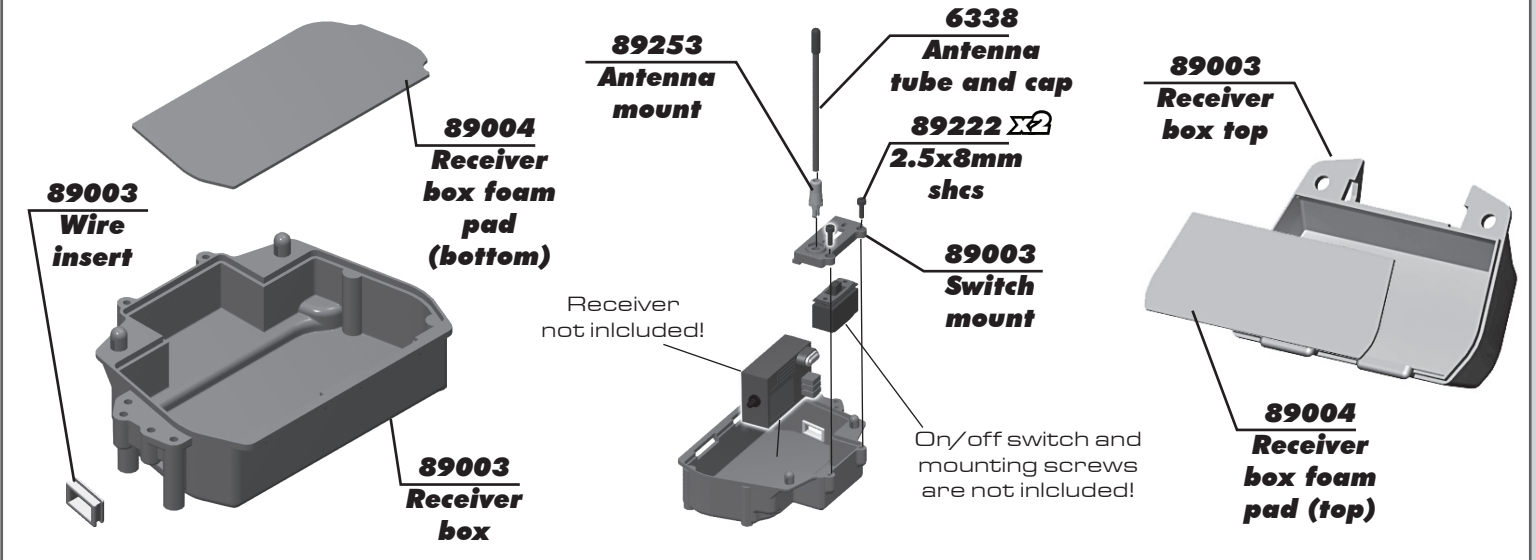
**89454
3x12mm
shcs**

**91069
Shock mount
pin, steel**

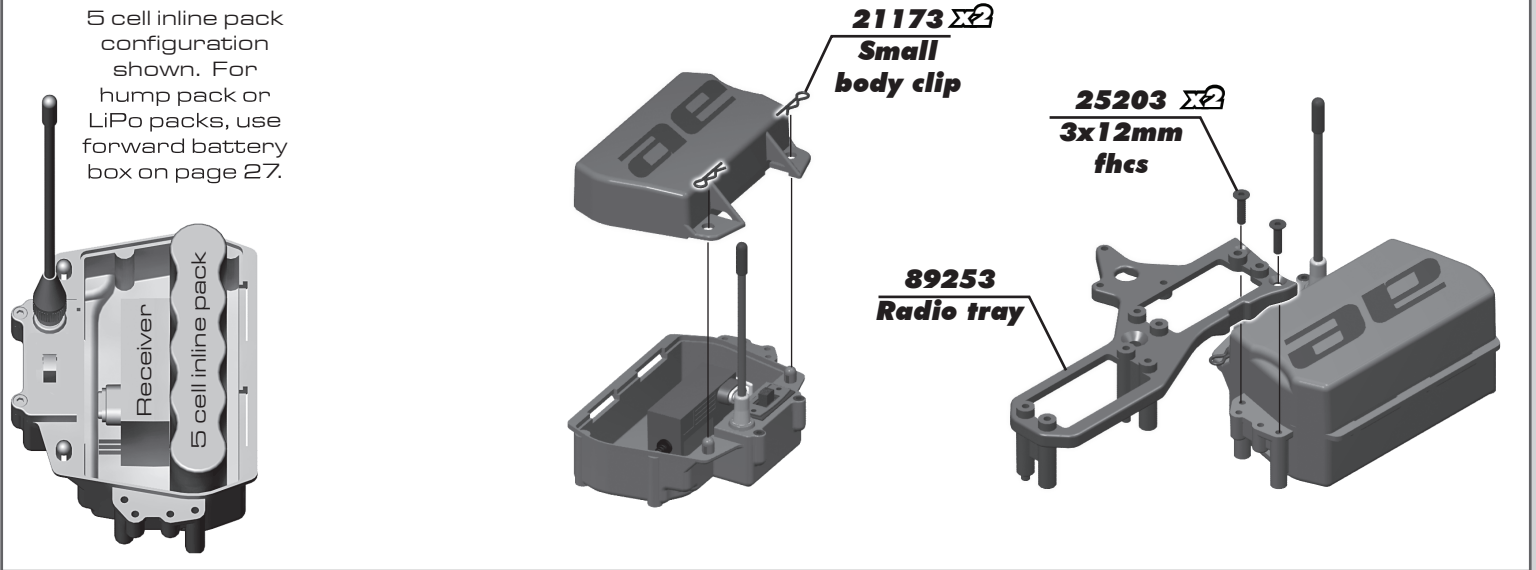
!
**Install
two rear
shocks.**

!
After installation, adjust droop
screw to get a rear shock length of
122mm measured center to center
on the shock cap / eyelet.

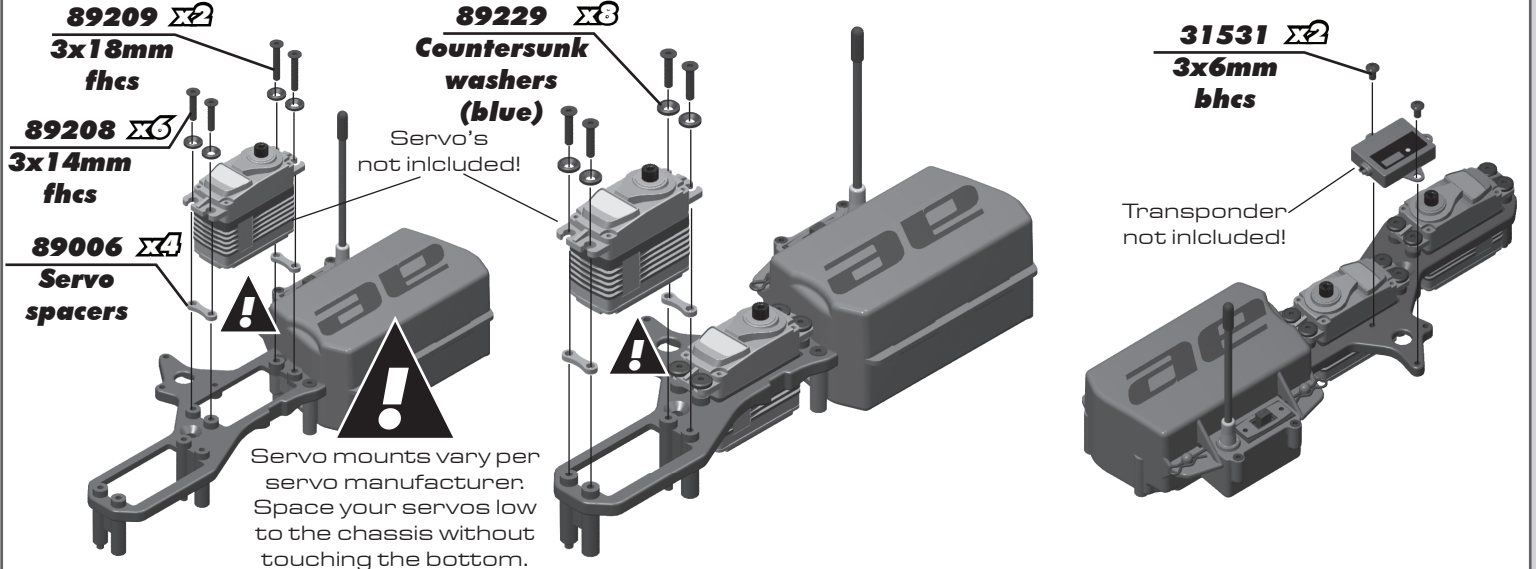
:: Radio Tray Assembly - Bag K



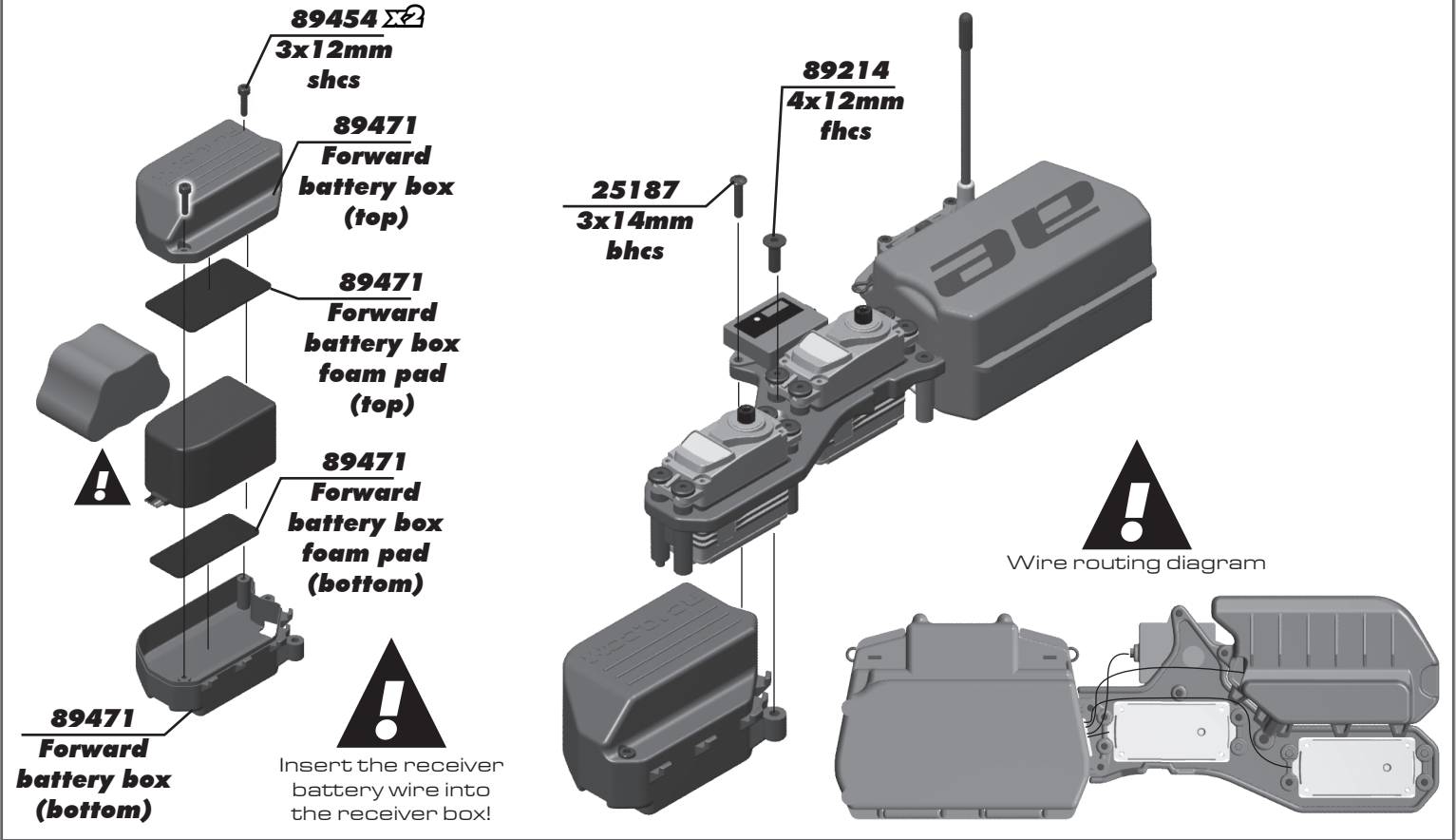
:: Radio Tray Assembly (cont.) - Bag K



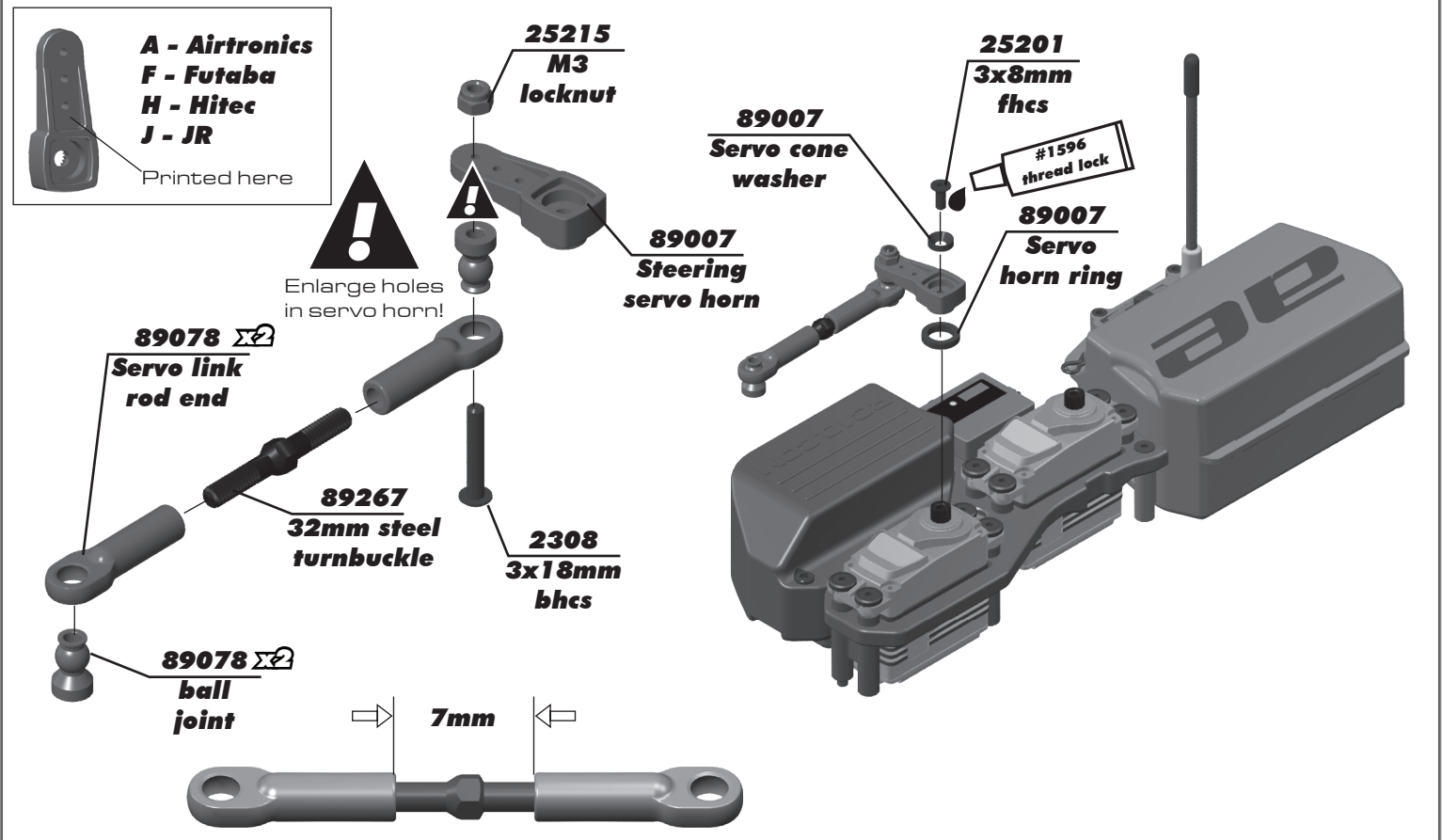
:: Radio Tray Assembly (cont.) - Bag K



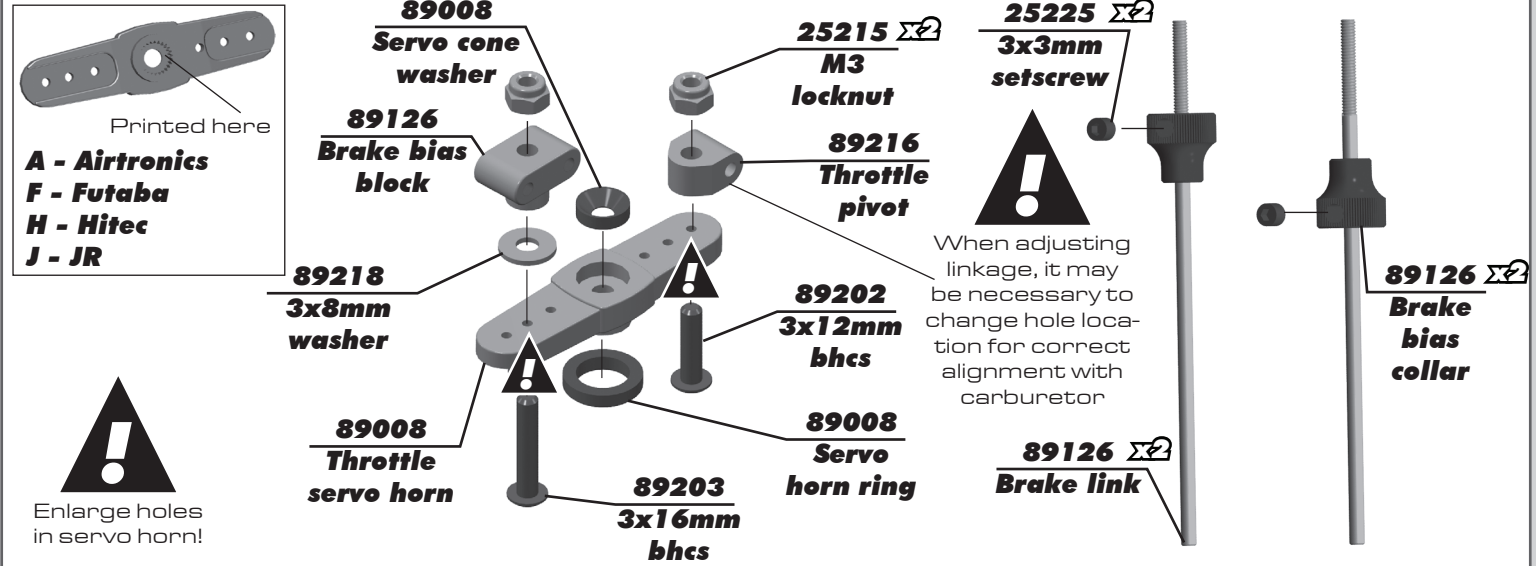
:: Radio Tray Assembly (cont.) - Bag K



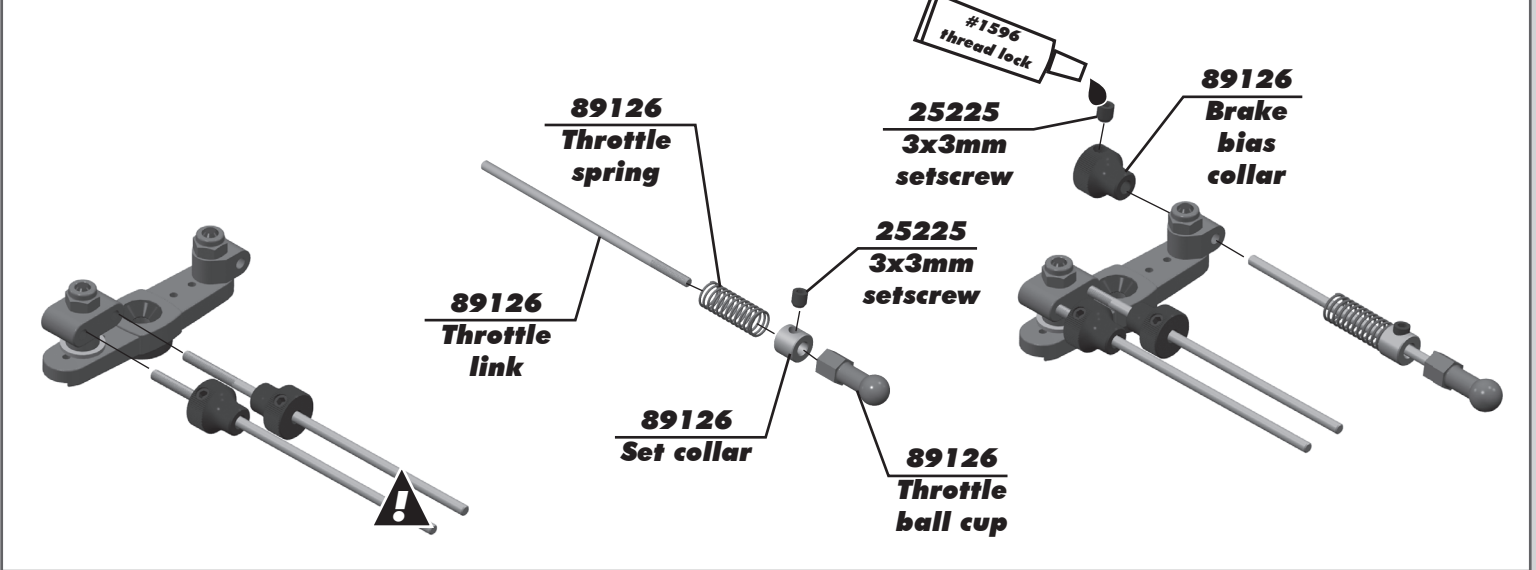
:: Radio Tray Assembly (cont.) - Bag K



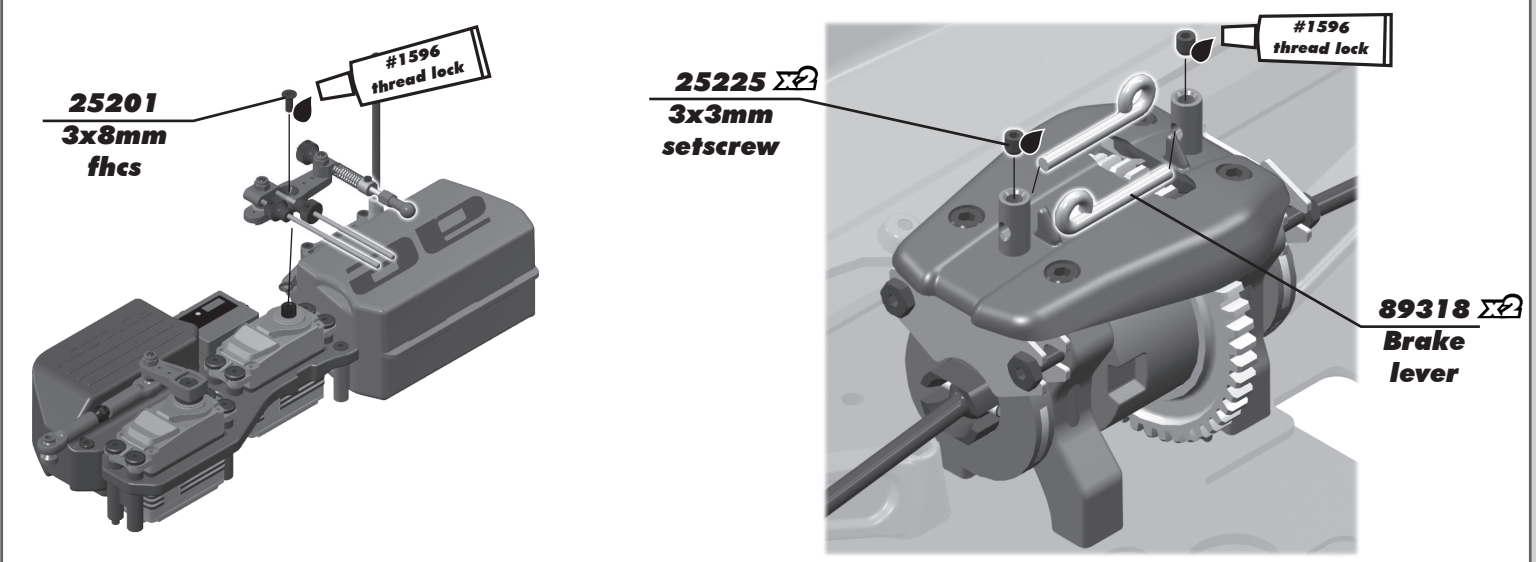
:: Radio Tray Assembly (cont.) - Bag K



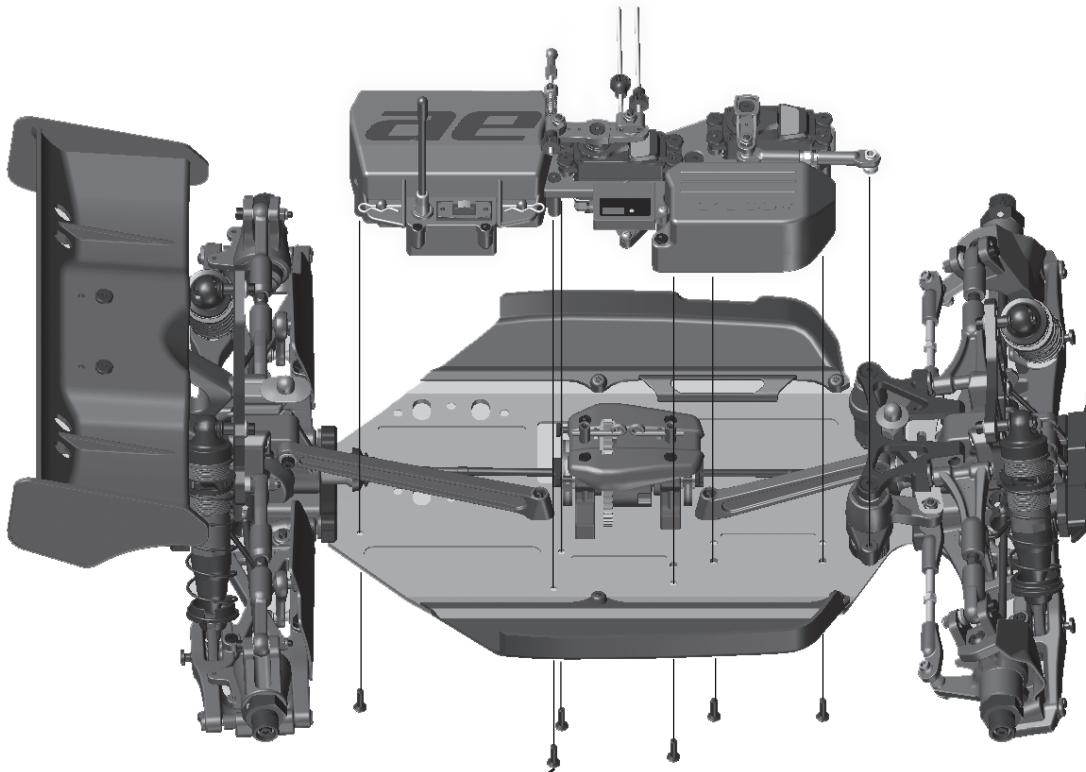
:: Radio Tray Assembly (cont.) - Bag K



:: Radio Tray Assembly (cont.) - Bag K



:: Radio Tray Assembly (cont.) - Bag K



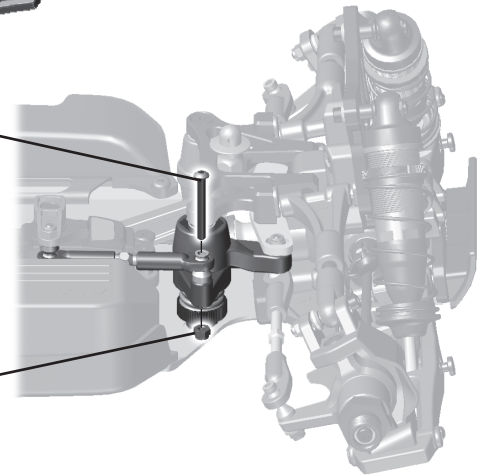
25203 $\Sigma 3$
3x12mm
fhcs



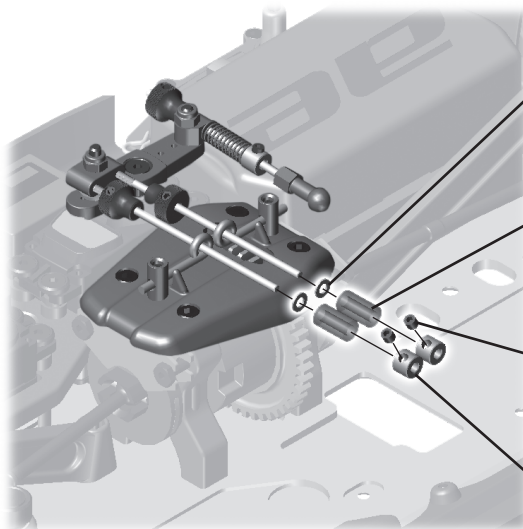
There will be an unused screw hole at the bottom of the receiver box. This will not be used for the RC8.2

89205
3x26mm
bhcs

25215
M3
locknut



:: Radio Tray Assembly (cont.) - Bag K



89126 $\Sigma 2$
Brake washer

89126 $\Sigma 2$
brake spring (silicone)

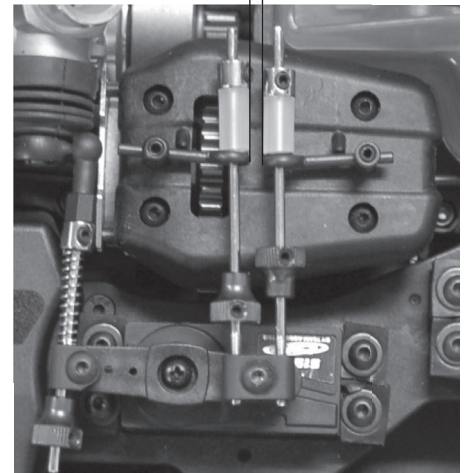
25225 $\Sigma 2$
3x3mm setscrew

89126 $\Sigma 2$
Set collar

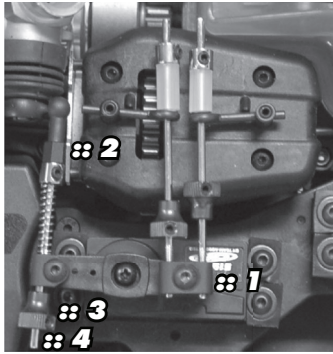


After installation, leave a 0.5mm gap between the two brake levers!

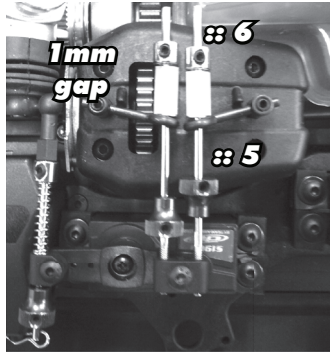
0.5mm



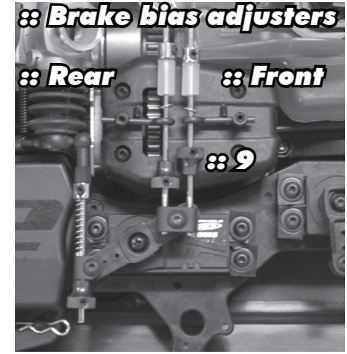
:: Radio Tray Assembly (cont.) - Bag K



- ::1 - Turn on transmitter and buggy. Adjust servo horn until position is parallel with centerline at neutral.
- ::2 - Set pre-load on spring so that throttle will close.
- ::3 - Set 0.5mm gap on throttle collar.
- ::4 - Trim off excess rod.

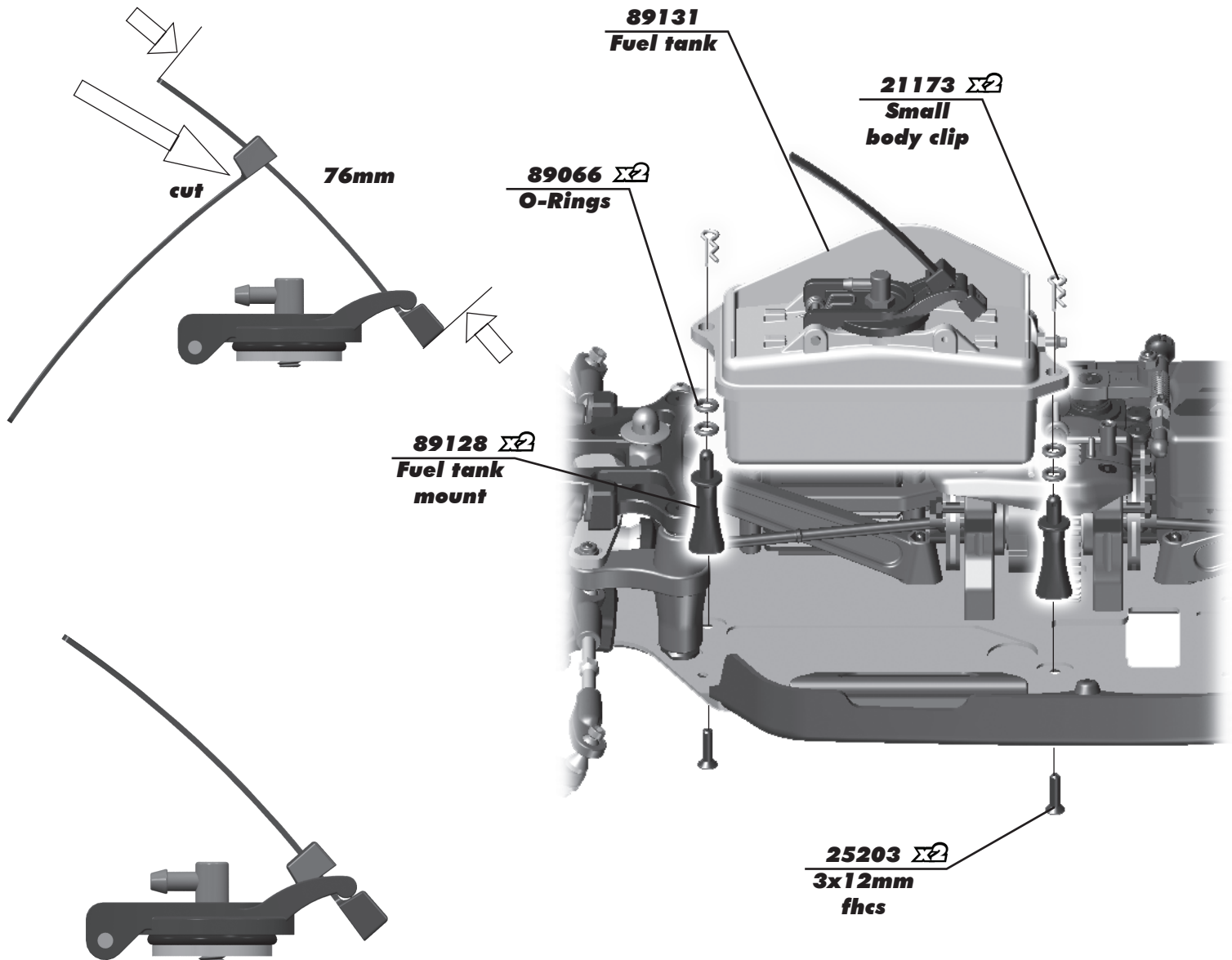


- ::5 - Pull cams to engage brakes. Set collar (with brakes engaged) to have 1mm gap between tubing and collar.
- Remember: transmitter is still on during this step.
- ::6 - Trim off excess brake link wire.



- :: Brake bias adjusters**
- :: Rear**
- :: Front**
- :: 9**
- ::7 - Set throttle EPA to max. Apply full throttle on transmitter and set EPA so that the carb is full open. Be careful not to over-extend the carb.
- ::8 - Set max brake EPA at 30% as a starting point.
- ::9 - Brake bias adjusters: thread the adjuster into the mount to achieve stronger brakes on that end of the buggy.

:: Fuel Tank Install - Bag L



:: Air Filter Install - Bag L

! When oiling the filter elements, place both inside a plastic bag and squeeze to help evenly coat the filter.

filter oil #7710

89142 Air filter outer element

89141 Air filter inner element

25201 $\Sigma 2$ 3x8mm fhcs

89139 Air filter cap

89139 Air filter base

89140 Air filter hose

3719 6" wire tie

Engine not included!

! Use #3917 wire tie here!

:: Engine Install - Bag L

RACERS TIP: trim clutch shim.

89134 $\Sigma 3$ Clutch shoes (aluminum)

89133 $\Sigma 3$ 1.0mm clutch springs

89138 Flywheel collet

89135 Clutch nut

89136 Flywheel

89137 Clutch shim

! Use upper shock tool to install clutch springs.

Clutch shimming instructions:
If assembly does not spin freely, use #89218 (small clutch shim included in kit) on screw to increase end play.
If crankcase extends past clutch bearing, use #89218 (large clutch shim included in kit) to reduce end play.

89218 3x8mm washer

89132 16T clutchbell

25237 $\Sigma 2$ 5x10mm bearing

89148 $\Sigma 5$ Clutchbell shim

89223 3x8mm shcs

:: Engine Install (cont.) - Bag L

89231 $\Sigma 4$ 3mm lock washer

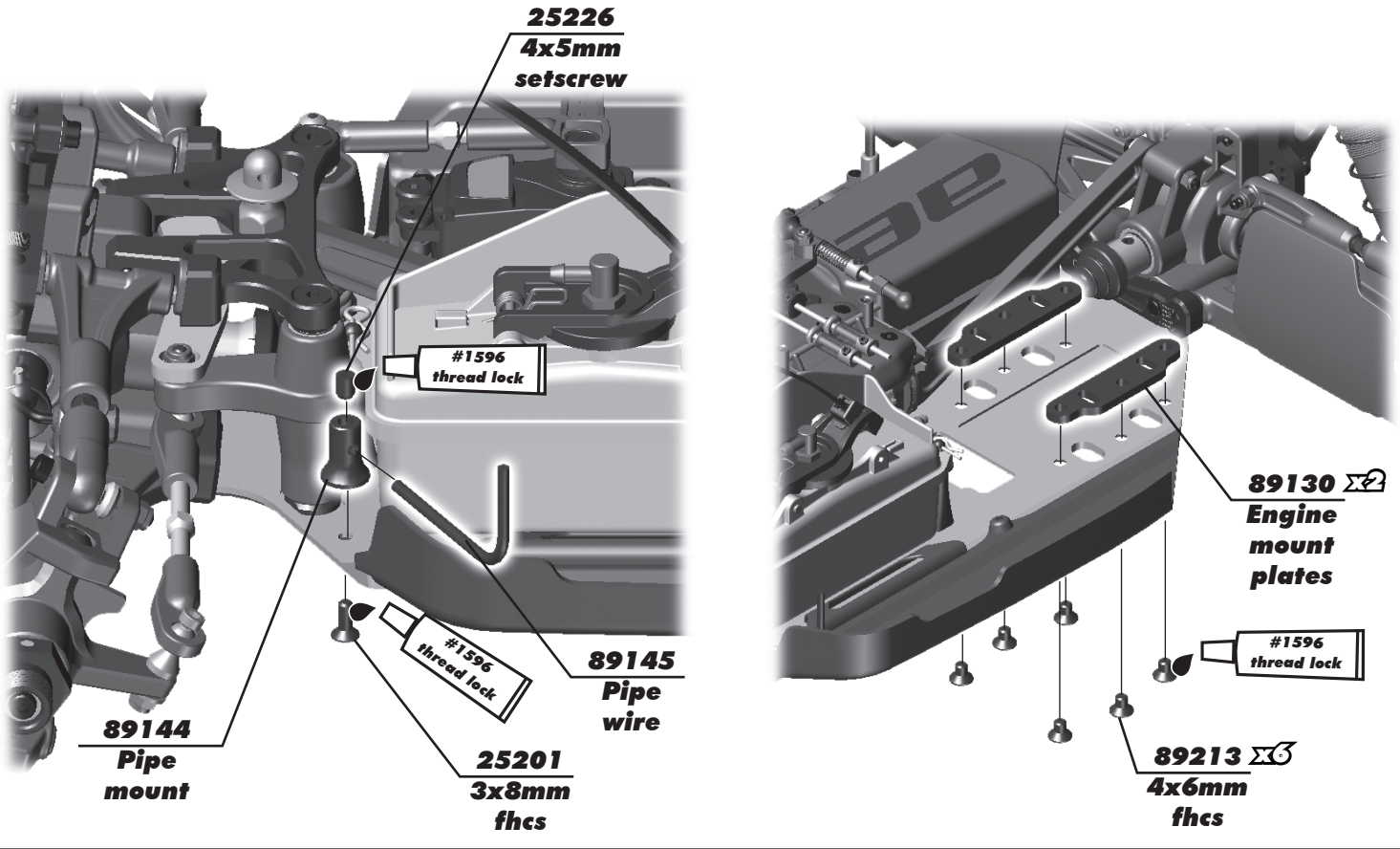
89224 $\Sigma 4$ 3x16mm shcs

89257 $\Sigma 2$ Engine mount

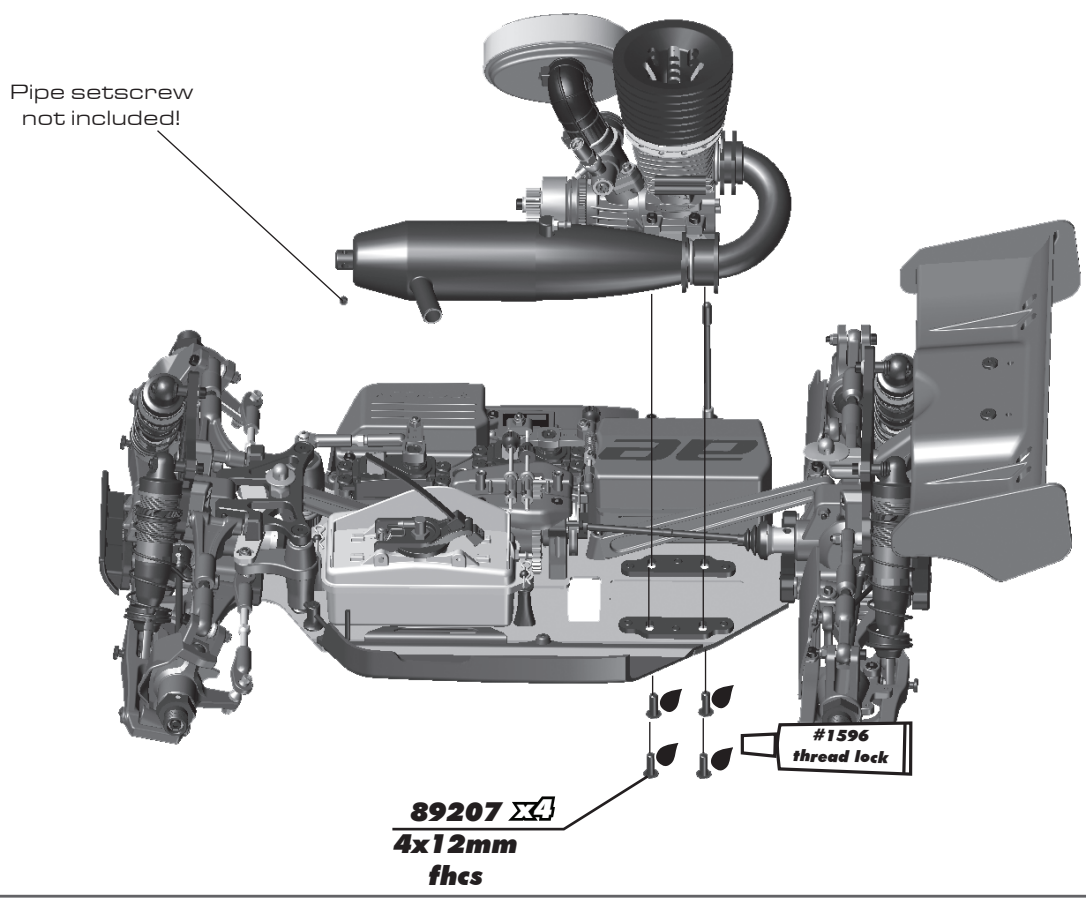
#1596 thread lock

Muffler and header not included

:: Engine Install (cont.) - Bag L



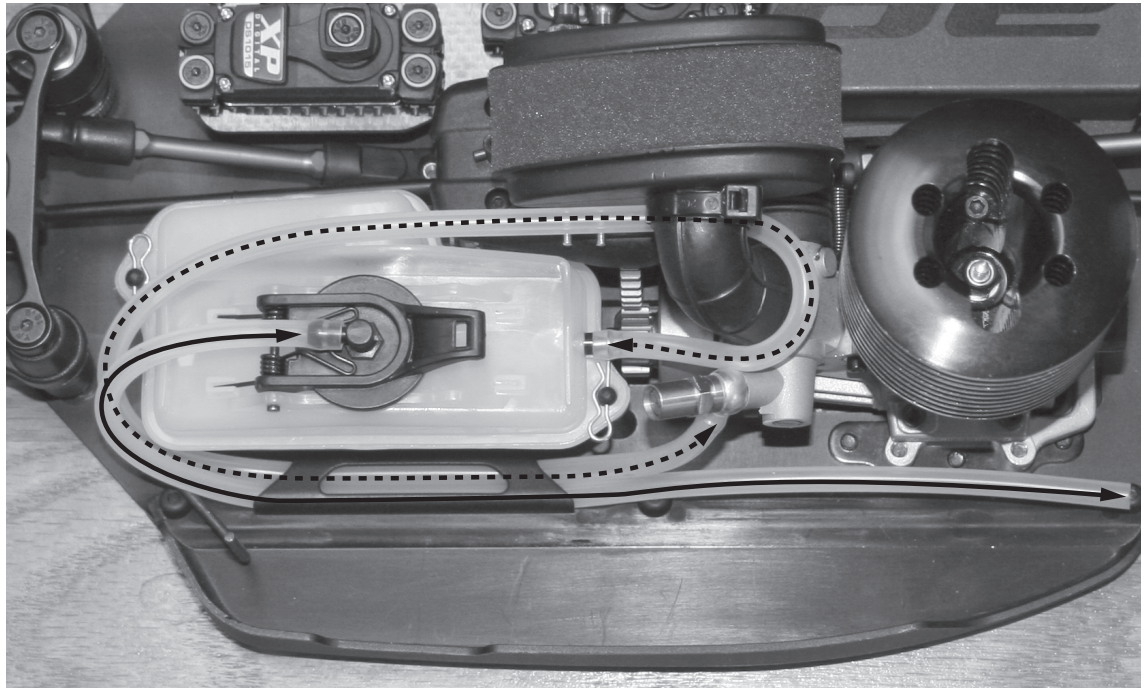
:: Engine Install (cont.) - Bag L



:: Engine Install (cont.) - Bag L

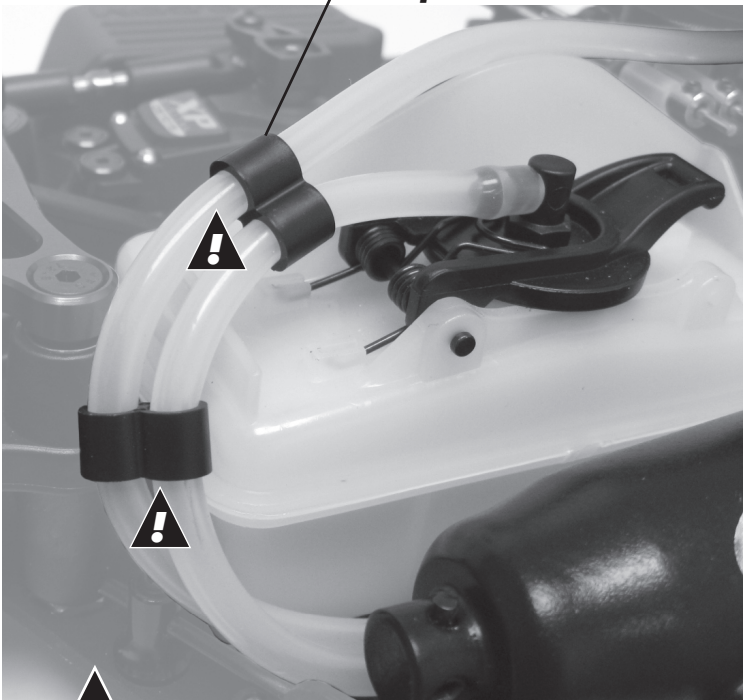
—————
 Pressure line
 from fuel tank lid to
 exhaust pipe nipple

- - - - -
 Fuel line
 from fuel tank to
 carburetor



:: Engine Install (cont.) - Bag L

89325 
**Fuel line
 clips**

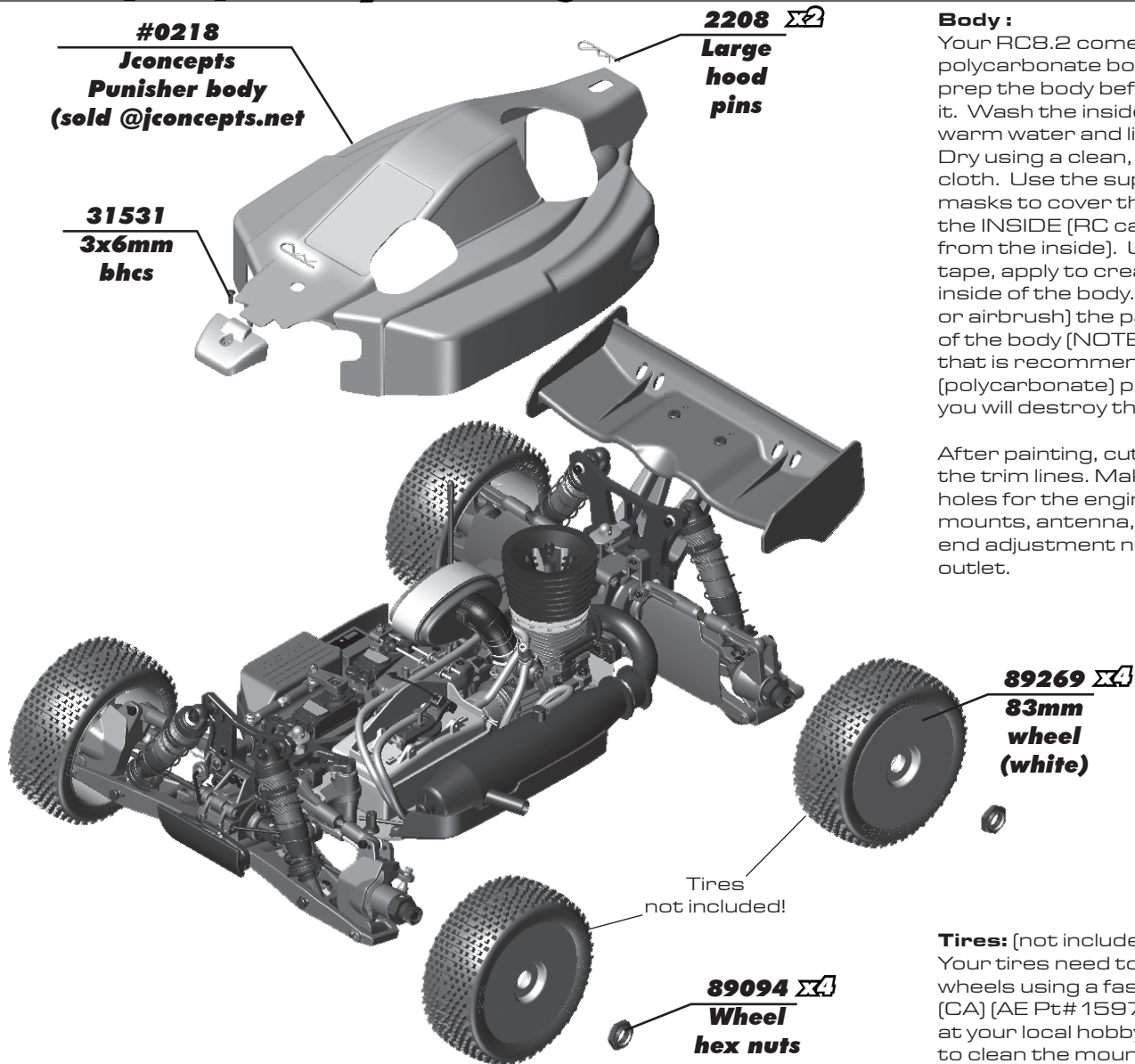


Install fuel line clips!



Adjust angle of carb
 ball joint to align with
 throttle servo.

:: Wheels, Tires, and Body Install - Bag M



Body :

Your RC8.2 comes with a clear polycarbonate body. You will need to prep the body before you can paint it. Wash the inside thoroughly with warm water and liquid detergent. Dry using a clean, soft, lint-free cloth. Use the supplied window masks to cover the windows from the INSIDE (RC cars get painted from the inside). Using high quality tape, apply to create a design to the inside of the body. Spray (either can or airbrush) the paint to the inside of the body (NOTE: use ONLY paint that is recommended for use with [polycarbonate] plastics. If you don't, you will destroy the plastic body!!!!).

After painting, cut the body along the trim lines. Make sure to cut holes for the engine head, body mounts, antenna, fuel tank lid, top end adjustment needle and muffler outlet.

Tires: (not included in kit)

Your tires need to be glued to the wheels using a fast-curing Tire glue [CA] [AE Pt# 1597]. This is available at your local hobby shop. Make sure to clean the mounting surface of the tire with alcohol for best adhesion.

:: Building Tips

Tires:

The tires need to be glued to the wheels using any fast-curing FT Tire glue [CA] [AE Pt# 1597]. This is available at your local hobby shop. Make sure to clean the mounting surface of the tire with alcohol for best adhesion.

Gear Mesh:

To correctly set your gear mesh, follow the steps below:

1. Loosen engine mount screws so you can slide your engine and mount.
2. Slide engine and mount until the clutchbell gear comes in contact with the spur gear. Tighten engine mount screws. Hold the spur gear in place and 'rock' the clutchbell gear. There should be a little 'free-play' between the gears.
3. If you have a small amount of 'free-play', continue building your RC8.2. If not, go back to Step 1.

Receiver Pack:

Your RC8.2 does not come with a receiver pack. It is recommended that you use a 5-cell 1600mah pack (minimum) in either stick [AE Pt #612] or hump [AE Pt#613] pack configuration (your RC8.2 will accept either). Charge your pack per the battery manufacturer's instructions. This will need to be done before you can setup up your RC8.2.

Engine Tuning:

Follow the manufacturers instructions to correctly tune your engine. You will need to adjust the fuel mixture according to altitude, weather, etc.

:: Chassis Tips

Gearing:

Recommended gearing: 16:44. This is a good starting point for most tracks. Follow your engine manufacturer's recommendations for gearing options. Typically on larger, more open track layouts a 17T clutch bell is used.

Gear Mesh:

To correctly set your gear mesh, follow the steps below:

1. Loosen the engine mount screws so you can slide your engine from side to side freely.
2. Slide the engine until the clutch bell comes in contact with the spur gear. Tighten the engine mount screws. Now "rock" the spur gear. There should be a little "free play" between the gears.
3. If you have a small amount of 'free-play', continue building your RC8.2. If not, go back to Step 1. Be sure to check for "free-play" through a full rotation of the spur gear.

WARNING! Caution when setting / checking gear mesh after running your vehicle, the clutch bell **WILL BE HOT!**

Differential Fluid:

Team Associated includes a complete bottle of 5,000cst diff oil. You can also provide your own oil and try one of the optional setups.

Standard differential fluid setup: Front = 5,000cst; Center = 5,000cst; Rear = 5,000cst.

Optional diff setup 1 (high grip track): Front = 5,000cst; Center = 10,000cst; Rear = 5,000cst.

Center Differential:

Use the standard setup for most cases. Some racers will try thicker oil (7,000-10,000cst) when greater acceleration is needed. This is typically done on very smooth tracks since thicker fluid can reduce handling in bumpy conditions.

:: Front End Tips

Front Differential:

Use the standard setup for most cases. Try 7,000cst to 10,000cst to get less low speed steering and better acceleration out of turns.

Kickup Bushing:

Generally more kick-up will provide better handling in the bumps and have better straight line acceleration. Less kick-up will provide more all around steering and have a more aggressive feel.

Caster:

The standard caster block insert setup is for 16 degrees. The standard inboard kick-up is 9 degrees (2-dot up insert in A-plate). You can reduce the caster using 14 degree inserts (also move both upper cone washers in front of the ball joint) for smoother steering. Changing to 18 degree inserts (also move both upper cone washers behind the ball joint) will typically provide more steering on power but reduce handling in bumpy conditions.

Front Upper Pivot Insert:

The standard setup is to use 2-dot up in the tower and 1-dot in the top plate. It is recommended to maintain a 1 dot gap (1 mm per dot) front to rear when using 2-dot up in the A-Plate. Reducing the A-Plate insert to 1-dot allows the use of same dot number insert in both tower and top plate. Going up to 3-dot up in the tower will give more turn in, but less steering on power/exit. Going down (1-dot, 2-dot down) will reduce turn in, but give more steering on exit.

Front Camber Link-Outer:

The standard short location will work the best for most tracks. Going to the long front link will give you more steering, but can make the car less predictable in bumps and exiting turns.

Front Camber Angle:

A good starting camber setting is -2 degrees. Positive camber, where the top of the tire is leaning out, is typically not recommended.

Front Toe-In:

Zero degree toe-in (tires pointing straight forward) is a good starting setting. You can increase turn in by adding 1-2 degrees of toe-out (front of tires point slightly out). Front toe - in is not a typical tuning adjustment used by the Team.

Front Ride Height:

The front ride height setting you should use most often is with 29mm of gap between the chassis bottom and the ground. Check the ride height with the FT Ride Height Gauge (# 1449) by lifting up the entire vehicle about 8-12 inches off the bench and drop it. After the suspension "settles" into place, then raise or lower the adjustment collars as necessary and recheck.

Front Arm Shock Location:

Inside on the arm will give a more responsive front end. Outside on the arm will be less responsive steering, but will be more predictable through bumps.

:: Rear End Tips

Rear Differential:

Start with the standard setup. For expert drivers, the most popular setting for buggy is 3,000 cst. the thicker 5,000cst kit oil will rotate less in the turns and accelerate straight on power. The thinner oil (2,000 or 3,000cst) will give more low speed traction.

Anti-squat:

Anti-squat denotes the angle of the rear inner hinge pin relative to the ground. This setting is adjusted by changing the insert bushing in the C-Plate. The kit setting is 2 degrees (2-dot down) but you change to 1 degree (3-dot down). Typically less anti-squat lets the suspension work more over the bumps, but it will sacrifice the ability to square up on power.

Rear Camber Link Length & Vertical Adjustment:

You can change the length of the camber link on the hub or tower as well as adjust the vertical location on the tower. A longer link will give the feeling of the most grip, but it will not be as responsive to square up on throttle, and might get loose if driven hard. This can easily be corrected by running the shorter link on the hub, but it will sacrifice some forward grip.

Changing to a higher location on the tower will be a smaller adjustment than changing the length of the upper link. Going up on the tower location has a similar effect as a longer camber link, but not as drastic. For example, if you change to the short rear link on the hub and you need to gain more forward grip, try raising the link up on the tower. New additional lower holes should be used when running the optional hinge pin hole in the rear hub carrier.

Rear Hub Hinge Pin Height:

The upper hole gives more rear grip on turn in, and good forward traction, but it might have difficulty squaring up out of turns. The lower hinge pin hole in the hub will be more responsive on throttle, and give more side grip in the turns.

Rear Hub Spacing:

You have 3 options for rear hub spacing, FWD, MIDDLE, & BACK. The kit setting provides a good balance of rear traction and steering, and will be used most often. Moving the hubs FWD will give more rear traction for low grip tracks. You can use the hubs BACK on high grip tracks for more on-power steering. Also, you can replace the included shims to get intermediate settings.

Rear Camber:

A good starting camber setting is -2 degrees. Use the included # 1719 camber gauge to set your camber. Adding a small amount of positive camber, where the top of the tire is leaning out, will tend to improve straight-line acceleration on loose tracks.

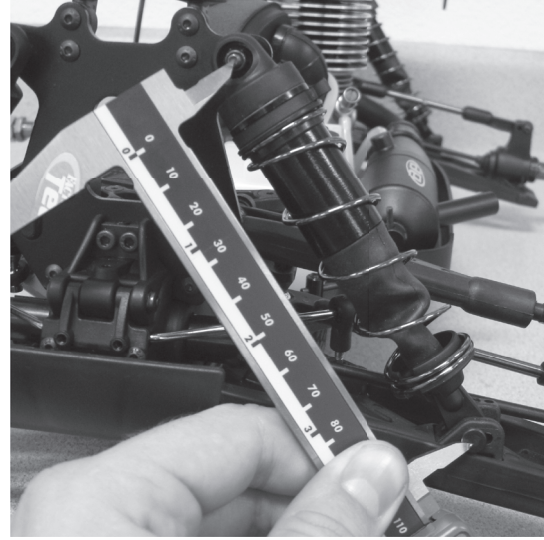
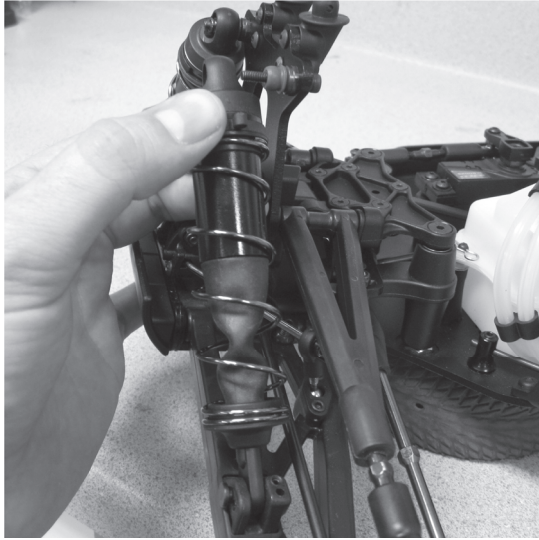
Rear Ride Height:

The rear ride height setting you should use most often is 29mm of gap between the chassis bottom and ground. Check the ride height with the FT Ride Height Gauge (# 1449) by lifting up the entire vehicle about 8-12 inches off the bench and drop it. After the suspension "settles" into place, then raise or lower the adjustment collars as necessary and recheck.

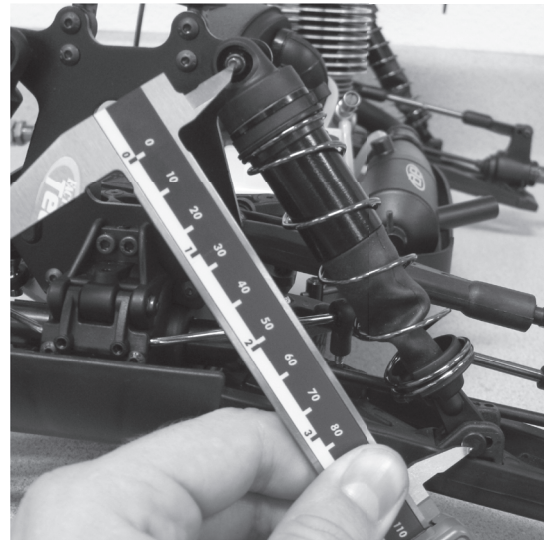
Rear Arm Shock Location:

Inside on the arm will give less entry steering, accelerates better straightline through bumps, but may lack side bite. Outside on the arm will be less grip, more steering, but will be more predictable when it breaks traction.

:: Droop Settings (Truggy shown but applicable for all vehicles)



Step 1: With only the bottom of the shocks attached, the droop screws raised all the way, and the chassis above your working surface so the arms are at full extension, you should be able to easily slide the top of your shock over the standoff screw, while leaving the shock at full extension. If the mounting hole of the shock cap is above or below the standoff screw, adjust the droop screw accordingly. Repeat for all corners of your vehicle. Measure from the center of the standoff screw to the center of the shock riser button to get your FULL DROOP setting. The front shocks should be 109mm, while the rear shocks should be 127.5mm.



Step 2: Finish installing the shock to the standoff. Set your vehicle to your desired droop setting. To increase your droop turn the droop screw (from the top) counter-clockwise [loosen], turn the droop screw (from the top) clockwise [tighten] to decrease your droop. Remember, never back the screw out beyond full droop or you could risk damage to your vehicle.

Step 3: Measure from the center of the shock standoff screw to the center of the shock riser button to get your final droop setting. The front shocks should both be set at the same length, as should the rear shocks. * The normal droop setting is between 0-5mm from the FULL DROOP measurement.

Front Droop: Increasing front droop [loosen droop screws] will increase off-throttle steering. It also allows the front end to lift more, giving more rear grip and less front grip on-power. Remember to never loosen the screws beyond the FULL DROOP setting. Decreasing front droop [tighten droop screws] yields more on-power steering and quicker response at the expense of some stability in bumpy sections. It will also give less off-throttle steering.

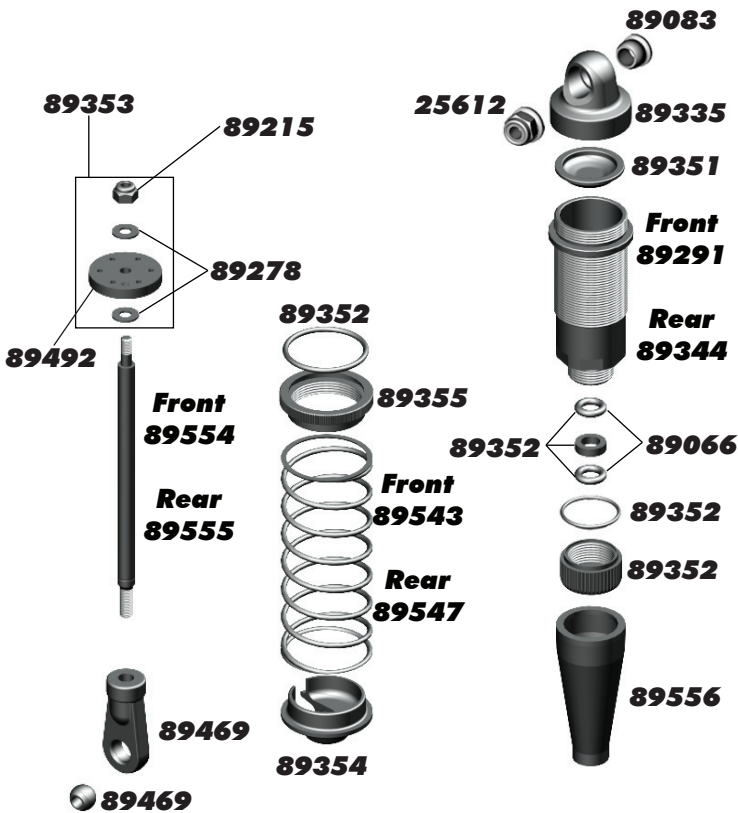
Rear Droop: Increasing rear droop [loosen droop screws] will increase traction in bumpy sections, but will reduce high-speed stability. Remember to never loosen the screws beyond the FULL DROOP setting. Decreasing rear droop [tighten droop screws] will increase stability in high speed sections, but will reduce stability in bumpy sections.

Setup Sheets:

Most often the best way to get your car handling right is to go to our website www.rc10.com and click on the "Setup Sheets" link, then the link to your vehicle, then search for your vehicle. Our team of professional drivers help develop these setups at National events. Also, most drivers have a "base" setup that they use as a starting point for every event. Try running some of our base setups OR look for track conditions and tires that are similar to your local track and mimic that setup. Remember, each adjustment has a purpose, so copy everything from the setup sheet and then make adjustments based on the recommendations in here at <http://www.rc10.com/rc/tuning>.

:: Shocks

25612	M3 Locknut With Flange	20
89066	Shock O-Rings	8
89067	Shock Limiters, Set	1
89083	Shock Bushings	4
89215	Piston Locknut	10
89278	2.5mm Washer	20
89290	16x29mm Front Shock Kit - requires #89554 shock shafts for RC8.2	1
89291	16x29mm Front Shock Body	Pr.
89335	16mm Shock Caps	2
89344	16x38mm Rear Shock Body	Pr.
89346	16x38mm Rear Shock Kit - requires #89554 shock shafts for RC8.2	1
89351	16mm Shock Bladders	8
89352	16mm Shock Rebuild Kit	1
89353	16mm Shock Pistons	8
89354	16mm Shock Spring Cups	4
89355	16mm Shock Collars	2
89469	HD Shock Ends	4
89492	16mm Piston 5x1.1 + 5x1.2	4
89554	HD Shock Shaft, 4x26mm	Pr.
89555	HD Shock Shaft, 4x36mm	Pr.
89556	RC8.2 Shock Boots (Front and Rear)	2 ea.

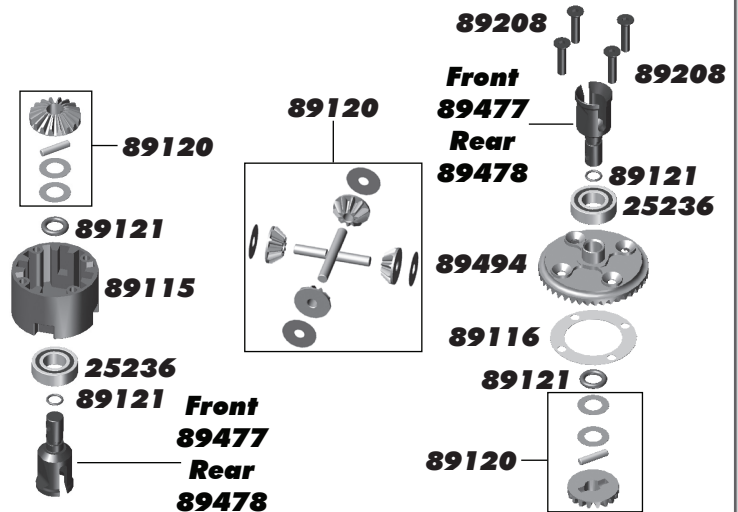


:: Springs

89541	RC8.2 Front Spring Kit	1
89542	RC8.2 Front Spring Green (4.0lbs)	Pr.
89543	RC8.2 Front Spring Silver (4.3lbs) - Kit	Pr.
89544	RC8.2 Front Spring Blue (4.65lbs)	Pr.
89545	RC8.2 Rear Spring Kit	1
89546	RC8.2 Rear Spring Green (3.25 lbs)	Pr.
89547	RC8.2 Rear Spring Silver (3.55 lbs) - Kit	Pr.
89548	RC8.2 Rear Spring Blue (3.75 lbs)	Pr.

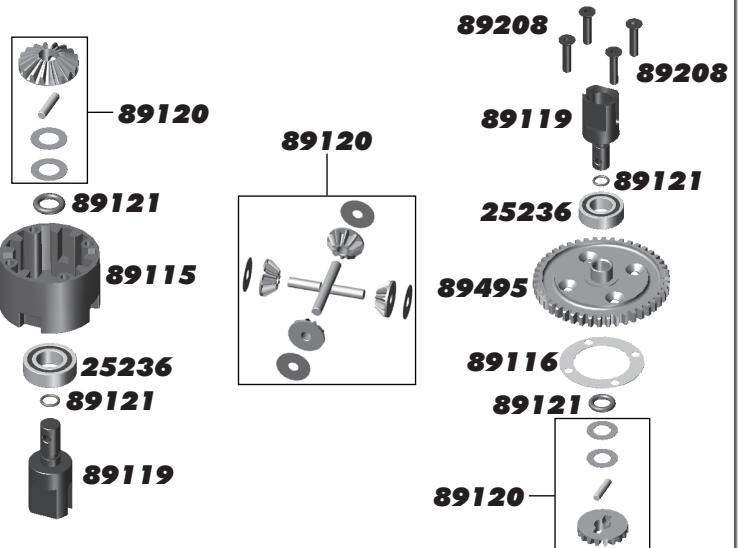
:: Front and Rear Gear Differential

25236	8x16x5 Bearings	2
89115	Diff Housing	1
89116	Diff Gasket	4
89117	Diff Shims	8
89120	Diff Sun/Planet Gears, Includes Washers and Pins, Set	1
89121	Diff O-Rings, Big and Small, Set	1
89208	3x14mm FHCS	10
89477	RC8B Light Outdrive, Front	2
89478	RC8B Light Outdrives, Rear	2
89494	RC8B Light Diff Ring Gear, Includes Diff Gasket	1



:: Center Gear Differential

25236	8x16x5 Bearings	2
89109	Spur Gear 44T, Includes Diff Gasket	1
89110	Spur Gear 46T, Includes Diff Gasket	1
89115	Diff Housing	1
89116	Diff Gasket	4
89119	Center Diff Outdrives	2
89120	Diff Sun/Planet Gears, Includes Washers and Pins, Set	1
89121	Diff O-Rings, Big and Small, Set	1
89208	3x14mm FHCS	10
89372	Spur Gear 50T, Includes Diff Gasket	1
89373	Spur Gear 52T, Includes Diff Gasket	1
89374	Spur Gear 54T, Includes Diff Gasket	1
89495	Light Spur Gear 44T, Includes Diff Gasket - Kit	1



:: Shock Fluid

5420	10 Weight Silicone Shock Fluid	2oz.
5421	20 Weight Silicone Shock Fluid	2oz.
5422	30 Weight Silicone Shock Fluid	2oz.
5423	40 Weight Silicone Shock Fluid	2oz.
5424	22.5 Weight Silicone Shock Fluid	2oz.
5425	80 Weight Silicone Shock Fluid	2oz.
5426	27.5 Weight Silicone Shock Fluid	2oz.
5427	15 Weight Silicone Shock Fluid	2oz.
5428	25 Weight Silicone Shock Fluid	2oz.
5429	35 Weight Silicone Shock Fluid	2oz.
5430	45 Weight Silicone Shock Fluid	2oz.
5431	55 Weight Silicone Shock Fluid	2oz.
5432	32.5 Weight Silicone Shock Fluid	2oz.
5433	37.5 Weight Silicone Shock Fluid	2oz.
5434	42.5 Weight Silicone Shock Fluid	2oz.
5435	50 Weight Silicone Shock Fluid	2oz.
5436	60 Weight Silicone Shock Fluid	2oz.
5437	70 Weight Silicone Shock Fluid	2oz.
5438	47.5 Weight Silicone Shock Fluid	2oz.



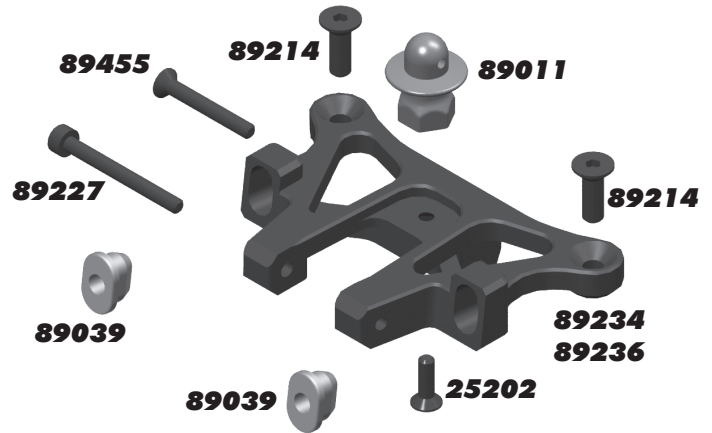
:: Lubes & Adhesives / Decals / Misc.

1105	FT Green Slime Shock Lube	1
1596	FT Locking Adhesive	1
1597	FT Tire Adhesive, Medium	1
5450	Silicone Diff Fluid 1000cst	1
5451	Silicone Diff Fluid 2000cst	1
5452	Silicone Diff Fluid 3000cst	1
5453	Silicone Diff Fluid 5000cst	1
5454	Silicone Diff Fluid 7000cst	1
5455	Silicone Diff Fluid 10000cst	1
5456	Silicone Diff Fluid 20000cst	1
5457	Silicone Diff Fluid 30000cst	1
5458	Silicone Diff Fluid 60000cst	1
5459	Silicone Diff Fluid 100000cst	1
6588	Black Grease - 4cc	1
6591	S.Diff Lube - 4cc	1
6636	Silicone Grease - 4cc	1
6727	Servo Tape	2
716	Reedy 2009 Sticker Set	1
717	Reedy Powered Logo Decal	1
3816	American Bumper Sticker	1
3820	AE Logo Decal Sheet	1
3834	AE Blue Embossed Logo Sticker	2
89559	RC8.2 Decal Sheet	1



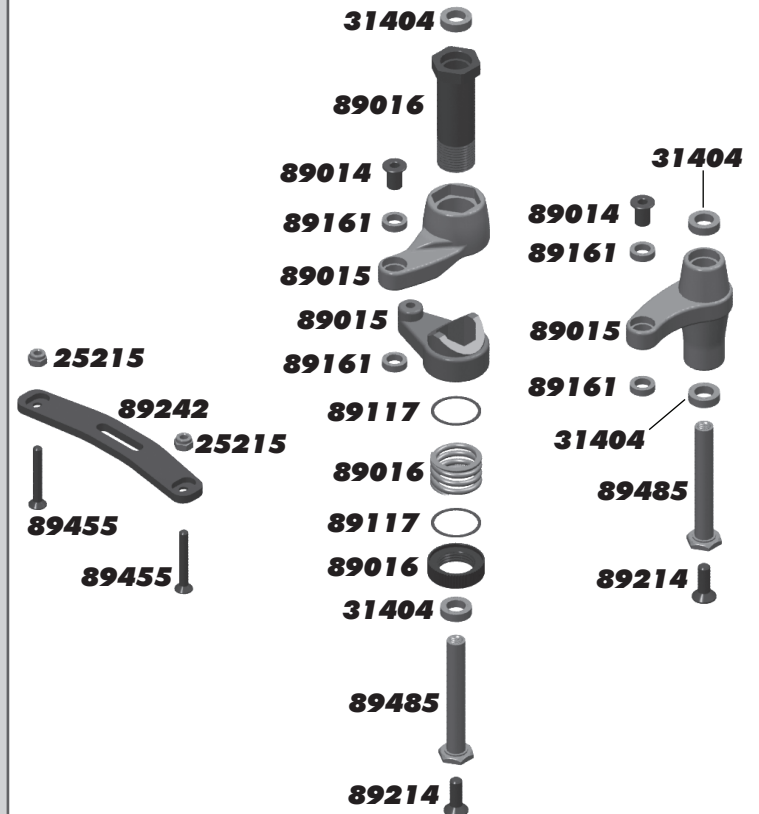
:: Top Plate

25202	3x10mm FHCS	20
89011	RC8 Body Mounts, Set	1
89039	Hinge Pin Bushings, 1/2/3 dot, Set	1
89214	4x12mm FHCS	10
89227	3x28mm SHCS	10
89234	Blue Aluminum Top Plate - Kit	1
89236	Black Aluminum Top Plate (FT)	1
89455	3x22mm FHCS	10



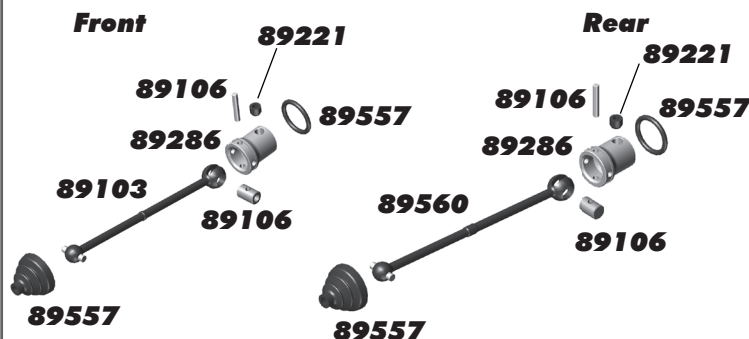
:: Steering

25215	M3 Locknut	20
31404	6x10mm Bearing	2
89014	Steering Rack Post	2
89015	Servo Saver, Set	1
89016	Servo Saver Bolt, Nut, Spring, Set	1
89117	Diff Shims	8
89161	Steering Bearing Set	1
89214	4x12mm FHCS	10
89242	Steering Drag Link	1
89455	3x22mm FHCS	10
89485	Aluminum Steering Posts	2



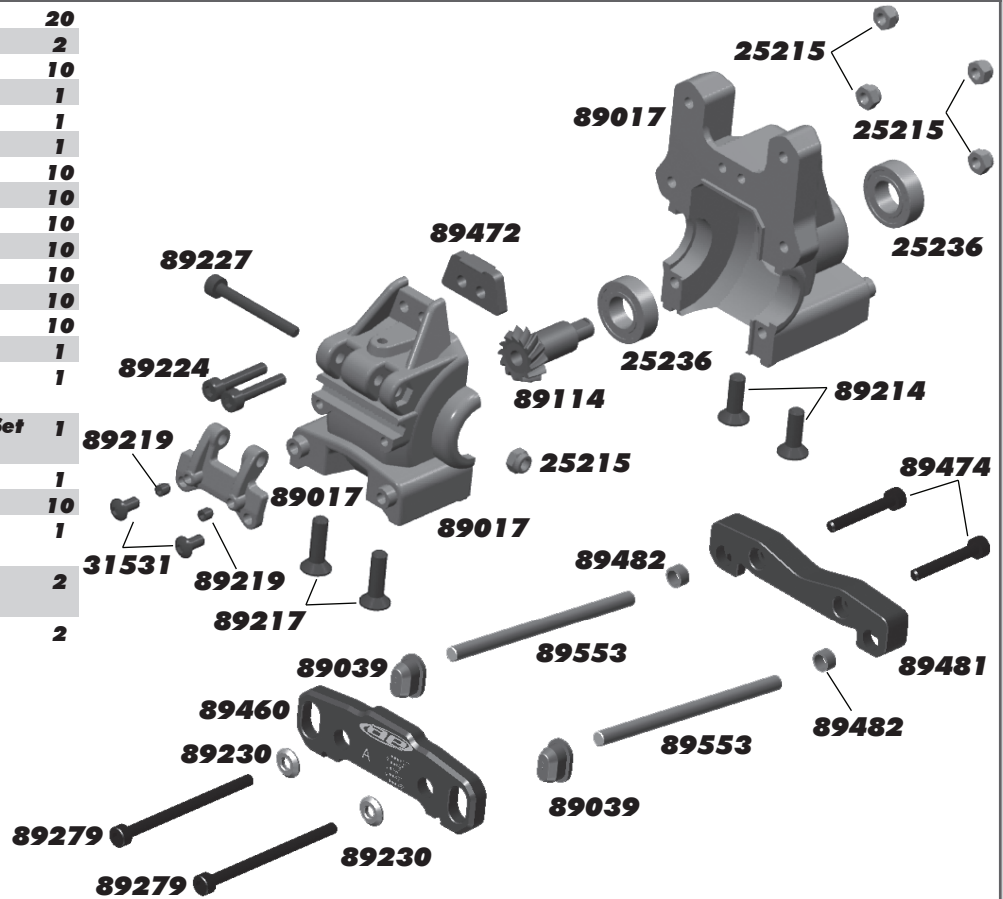
:: Center CVA's

89103	RC8 Center CVA Bone	2
89106	RC8 Center CVA Rebuild Set	1
89221	5x4mm Setscrew	10
89286	RC8 Gearbox Input Cup, Aluminum	2
89557	Pin Retainer O-Ring / Boot	2 ea.
89560	RC8 Rear Center Drive Shaft +3mm	1



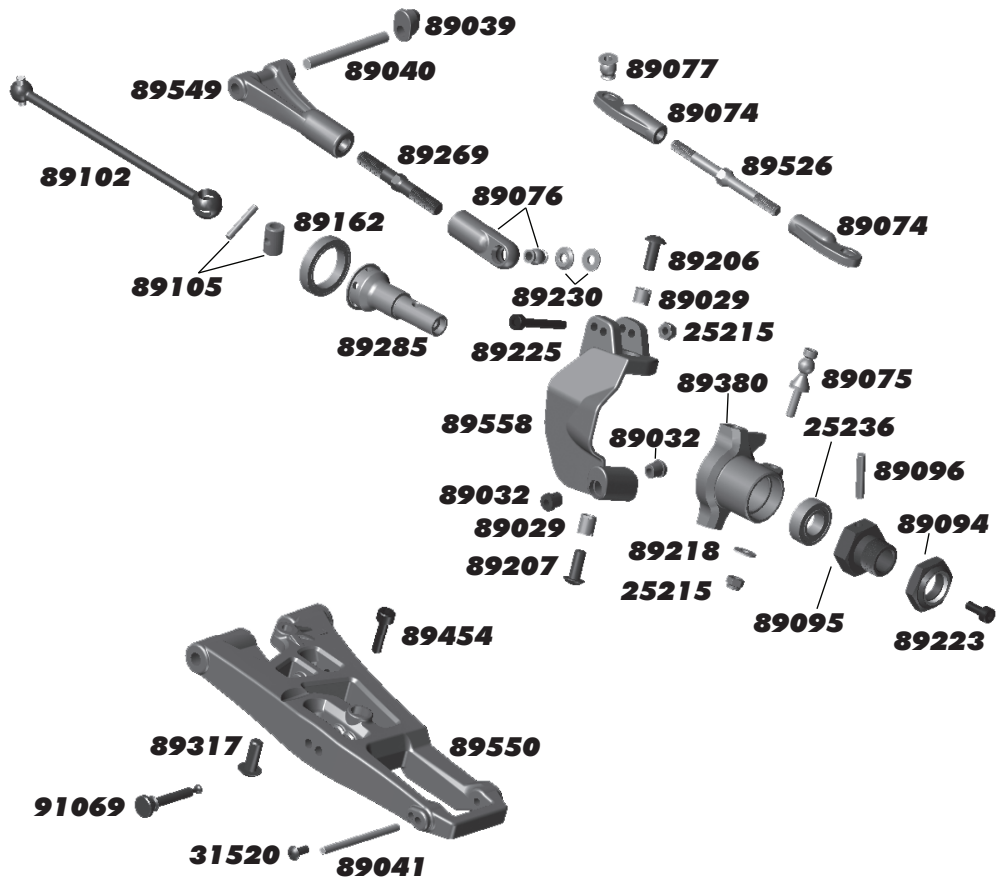
:: Front Gearbox

25215	M3 Locknut	20
25236	8x16x5 Bearing	2
31531	3x6mm BHCS	10
89017	FR/RR Gearbox	1
89039	Hinge Pin Bushings, Set	1
89114	Diff Pinion Gear	1
89214	4x12mm FHCS	10
89217	4x14mm FHCS	10
89219	3x5mm Setscrew	10
89224	3x16mm SHCS	10
89227	3x28mm SHCS	10
89230	Silver Cone Washer	10
89279	3x45mm SHCS	10
89460	RC8 Aluminum A-Plate	1
89461	RC8 Aluminum B-Plate w/Pins, Set works with #89466	1
89466	RC8B Inner Hinge Pins, 4mm-HMA, Set works with #89461	1
89472	RC8B Front Bulkhead Spacer	1
89474	3x22mm FHCS	10
89481	RC8B Low B Plate - Kit works with #89482, 89553	1
89482	RC8B Low B Plate Inserts - Kit works with #89481, 89553	2
89553	RC8.2 FR Hinge Pins, TiN - Kit works with #89481, 89482	2



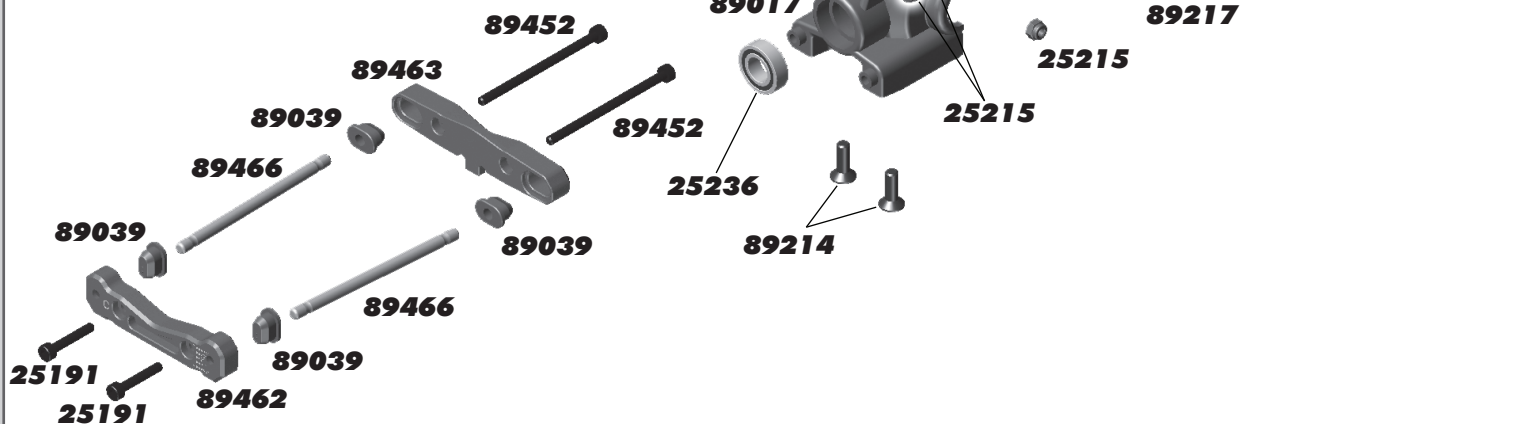
:: Front Suspension

25215	M3 Locknut	20
25236	8x16x5 Bearing	2
31520	2.5x6mm BHCS	6
89029	Steering Block Bushings, Set	1
89032	Caster Angle Bushings, Set	1
89039	Hinge Pin Bushings, Set	1
89040	RC8 Inner Hinge Pins, Set	1
89041	RC8 Outer Hinge Pins, Set	1
89074	Steering Rod Ends	4
89075	RC8 Steering Ballstuds	4
89076	RC8 Camber Rod Ends, Set	1
89077	Chassis Brace Rod Ends, Set	1
89094	Nyloc Wheel Hex Nuts (Blue)	4
89095	RC8 Wheel Hex (Aluminum)	Pr.
89096	RC8 Wheel Hex Pins	4
89102	RC8 Front/Rear CVA Bone	2
89105	RC8 CVA Rebuild FR/RR, Set	1
89162	15x21x4 Bearing	2
89206	4x10mm BHCS	10
89207	4x12mm BHCS	10
89218	3x8mm Washer	10
89223	3x8mm SHCS	10
89225	3x24mm SHCS	10
89230	Silver Cone Washer	10
89269	Steel turnbuckle, 38mm	2
89285	Front Stub Axle, Aluminum	2
89317	RC8T Droop Screws	8
89380	FT Machined Steering Blocks	Pr.
89454	3x12mm SHCS	10
89526	50mm Steel Turnbuckle	2
89549	RC8.2 Front Upper Arms	Pr.
89550	RC8.2 Front Arms	Pr.
89558	RC8.2 Caster Blocks	Pr.
91069	Shock Mount Pin, Steel	4



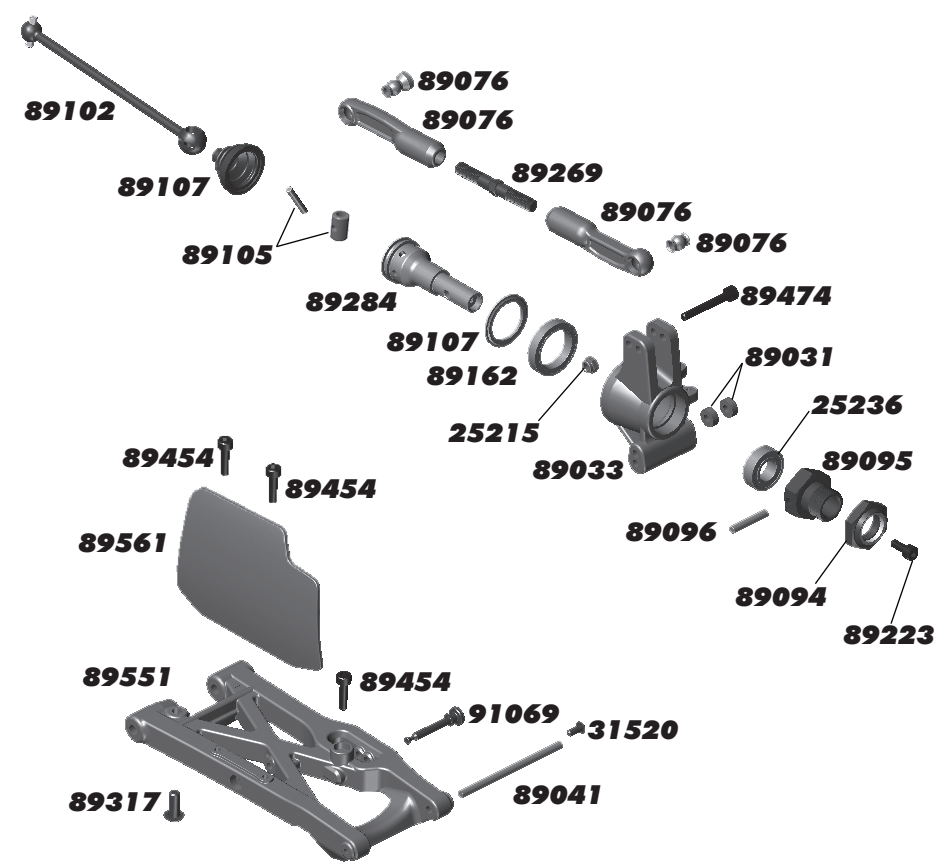
:: Rear Gearbox

25191	3x18mm SHCS	20
25215	M3 Locknut	20
25236	8x16x5 Bearing	2
31531	3x6mm BHCS	6
89017	RC8 FR/RR Gearbox, Set	1
89039	RC8 Hinge Pin Bushings, Set	1
89114	RC8 Diff Pinion Gear	1
89214	4x12mm FHCS	10
89217	4x14mm FHCS	10
89219	3x5mm Setscrew	10
89224	3x16mm SHCS	10
89227	3x28mm SHCS	10
89228	3x40mm SHCS	10
89230	Silver Cone Washer	10
89452	3x50mm SHCS	10
89462	RC8 Aluminum C - Plate	1
89463	RC8 Aluminum D - Plate w/Pins, Set	1
89466	RC8B Inner Hinge Pins, 4mm HMA, Set	1



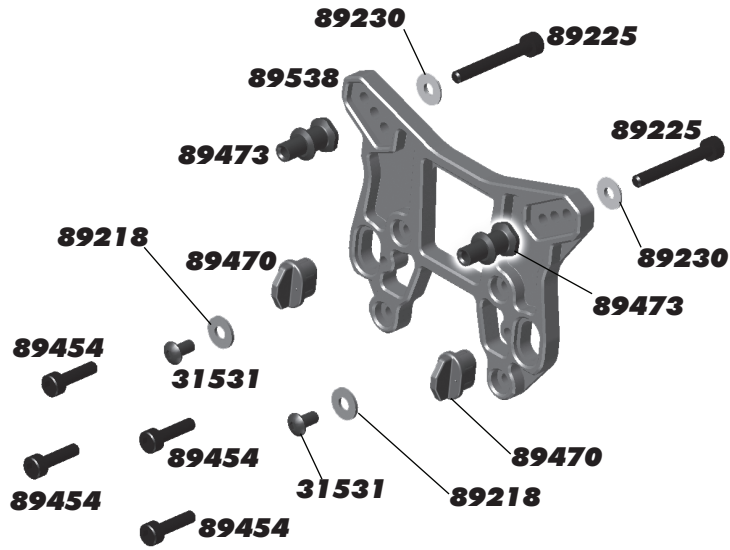
:: Rear Suspension

25215	M3 Locknut	20
25236	8x16x5 Bearings	2
31520	2.5x6mm BHCS	6
89031	RC8 Caster/Hub Spacers, Set	1
89033	RC8 Hub Carriers	Pr.
89041	RC8 Outer Hinge Pins, Set	1
89076	RC8 Camber Rod Ends, Set	1
89094	Nyloc Wheel Hex Nuts (Blue)	4
89095	RC8 Wheel Hex (Aluminum)	Pr.
89096	RC8 Wheel Hex Pins	4
89102	RC8 Front/Rear CVA Bone	2
89105	RC8 CVA Rebuild FR/RR, Set	1
89107	RC8 Rear CVA Shield/Boot, Set	1
89162	15x21x4 Bearing	2
89219	3x5mm Setscrew	10
89223	3x8mm SHCS	10
89269	38mm Steel Turnbuckle	2
89284	Rear Stub Axle, Aluminum	2
89317	RC8T Droop Screws	8
89454	3x12mm SHCS	10
89474	3x22mm SHCS	10
89551	RC8.2 Rear Arms	Pr.
89561	Rear Mud Guards	Pr.
91069	Shock Mount Pin, Steel	4



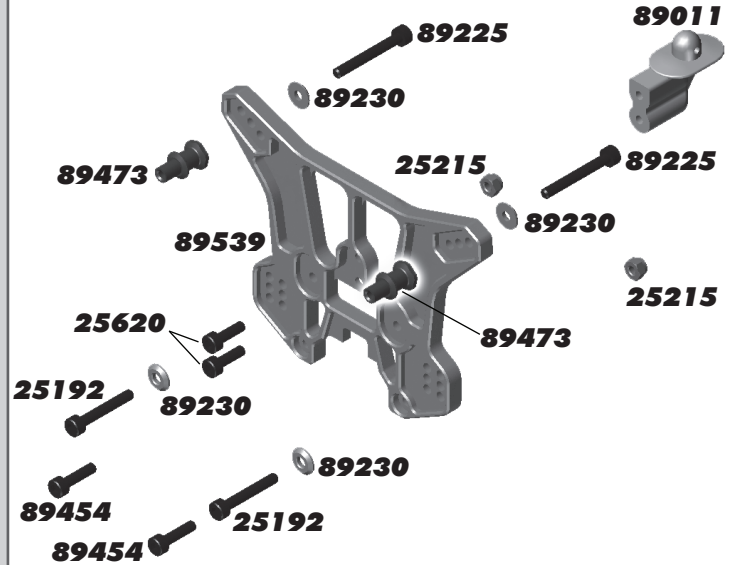
:: Front Shock Tower

31531	3x6mm BHCS	6
89218	3x8mm Washer	10
89225	3x24mm SHCS	10
89230	Silver Cone Washer	10
89454	3x12mm SHCS	10
89470	RC8B Shock Tower Hinge Pin Bushings, Set	1
89473	RC8B Steel Shock Stand-offs	4
89538	RC8.2 Front Tower, Aluminum	1



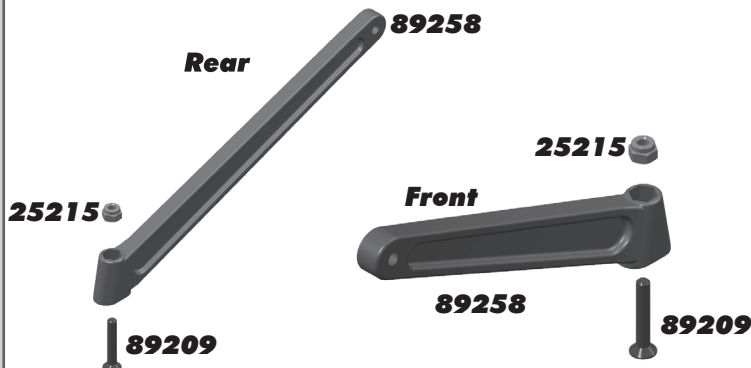
:: Rear Shock Tower

25192	3x20mm SHCS	20
25215	M3 Locknut	20
25620	3x10mm SHCS	20
89011	RC8 Body Mounts, Set	1
89225	3x24mm SHCS	10
89230	Silver Cone Washer	10
89454	3x12mm SHCS	10
89473	RC8 Steel Shock Standoffs	4
89539	RC8.2 Rear Tower, Aluminum	1



:: Chassis Braces

25215	M3 Locknut	20
89068	RC8 Pivot Chassis Brace Set (Front)	1
89069	RC8 Pivot Chassis Brace Set (Rear)	1
89077	Chassis Brace Rod Ends, Set works with #89068, 89069	1
89209	3x18mm FHCS	10
89238	FT Aluminum Chassis Brace (Front)	1
89239	FT Aluminum Chassis Brace (Rear)	1
89258	RC8 Chassis Braces, Plastic - Kit (Front, Rear)	1



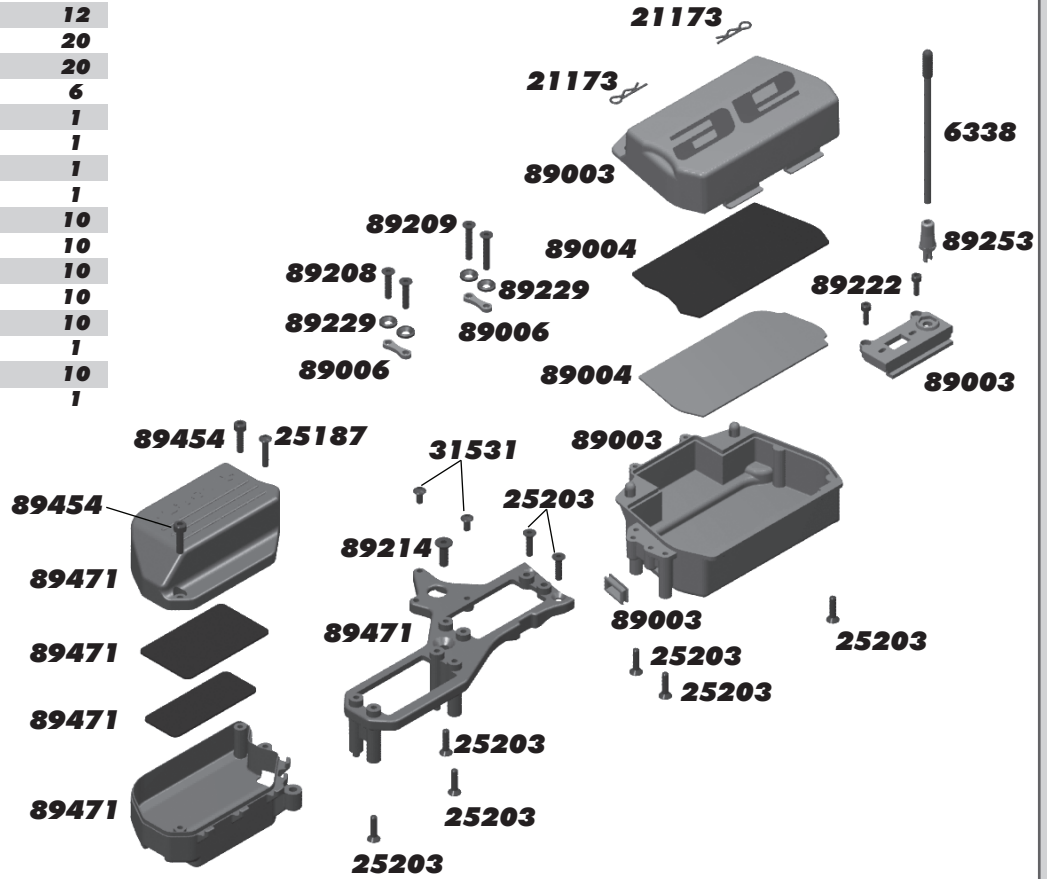
:: Center Bulkhead

25225	3x3mm Setscrew	20
89019	RC8 Center Bulkhead, Set	1
89122	RC8 Brake Pads, Set	1
89123	Heatsink Brake Discs - Kit	2
89124	RC8 Brake Cams/Levers, Set	1
89214	4x12mm FHCS	10
89226	3x26mm SHCS	10
89250	Fiber Brake Rotors	2
89254	Center Top Plate	1



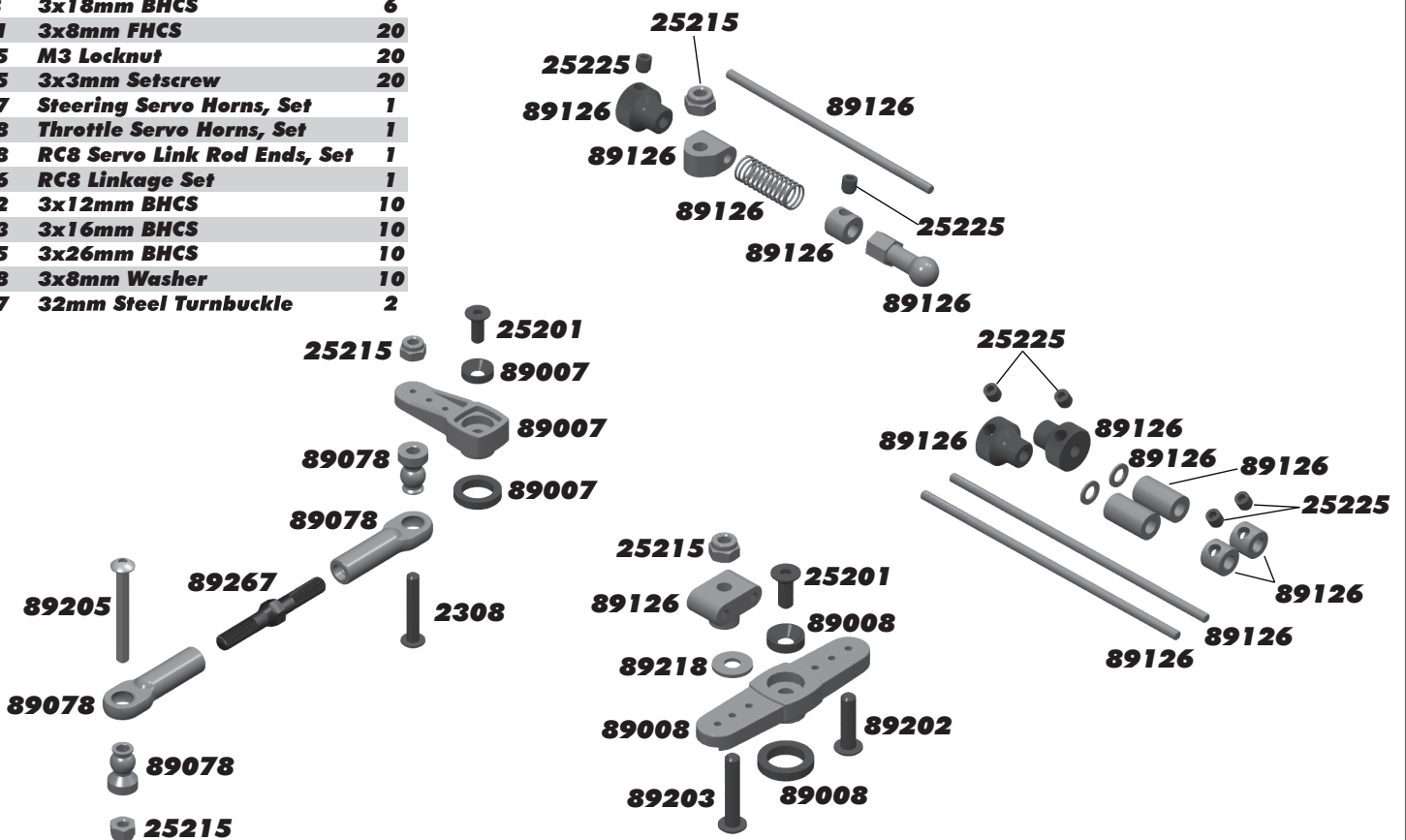
:: Radio Tray

6338	Antenna Tube and Cap	1
21173	18T Body Clips	12
25187	3x14mm BHCS	20
25203	3x12mm FHCS	20
31531	3x6mm BHCS	6
89003	RC8 Receiver/Battery Box, Set	1
89004	RC8 Receiver Box Pads, Set	1
89005	Aluminum Antenna Mount, Set	1
89006	RC8 Servo Mount Spacers, Set	1
89208	3x14mm FHCS	10
89209	3x18mm FHCS	10
89214	4x12mm FHCS	10
89222	2.5x8mm SHCS	10
89229	Blue Countersunk Washers	10
89253	Antenna Mount, Set	1
89454	3x12mm SHCS	10
89471	RC8.1 Forward Battery Box and Radio Tray	1



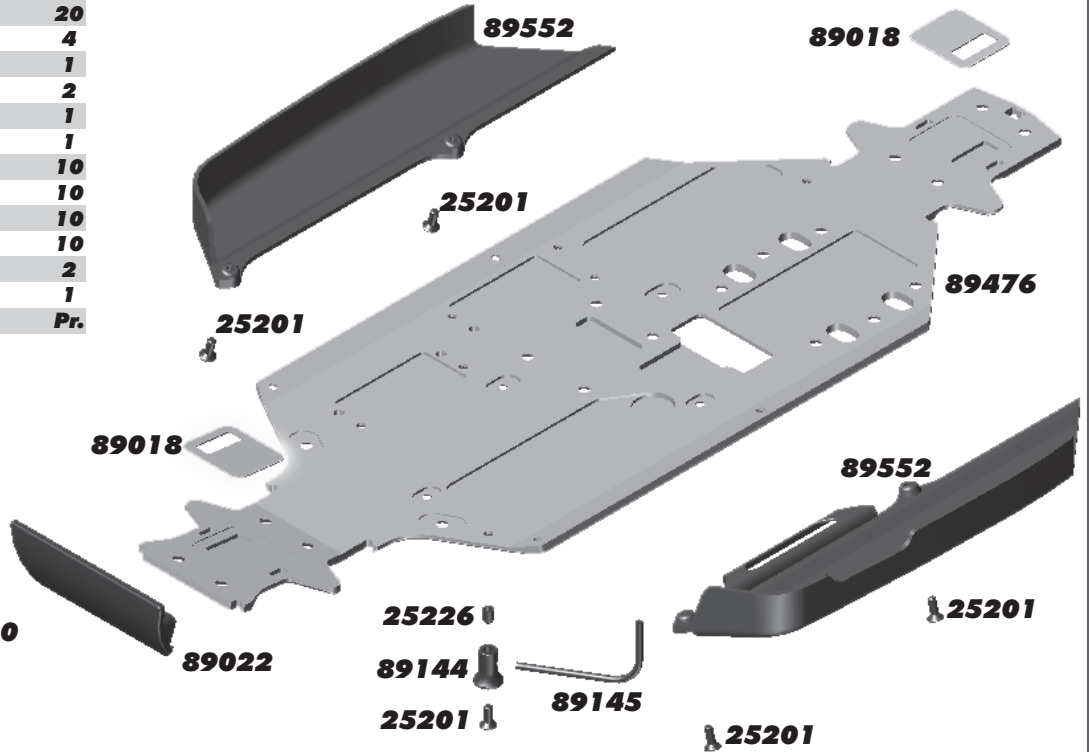
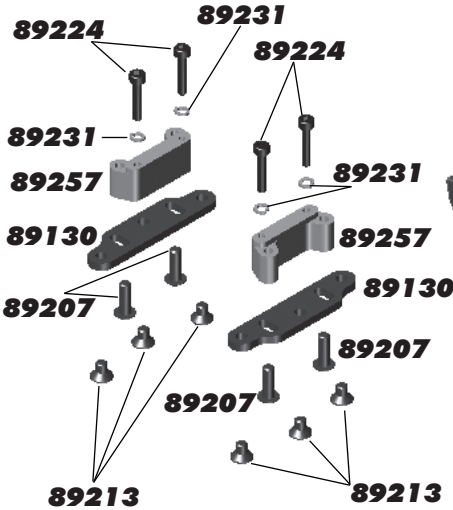
:: Linkage

2308	3x18mm BHCS	6
25201	3x8mm FHCS	20
25215	M3 Locknut	20
25225	3x3mm Setscrew	20
89007	Steering Servo Horns, Set	1
89008	Throttle Servo Horns, Set	1
89078	RC8 Servo Link Rod Ends, Set	1
89126	RC8 Linkage Set	1
89202	3x12mm BHCS	10
89203	3x16mm BHCS	10
89205	3x26mm BHCS	10
89218	3x8mm Washer	10
89267	32mm Steel Turnbuckle	2



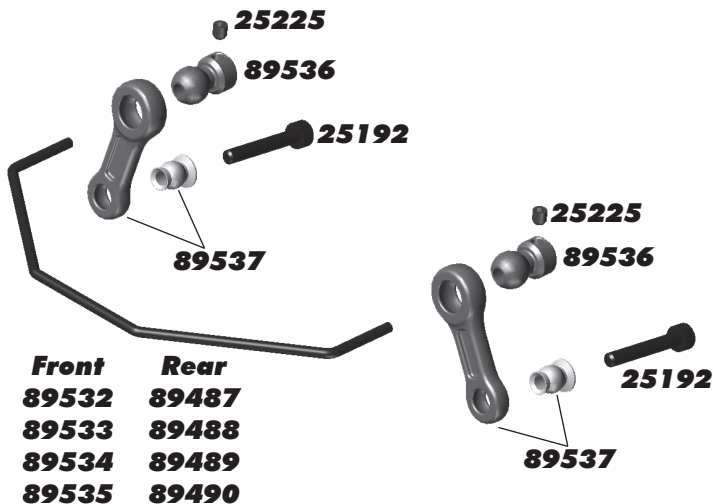
:: Chassis

25201	3x8mm FHCS	20
25226	4x5mm Setscrew	20
89018	RC8 Gearbox Gasket	4
89022	RC8 Front Bumper	1
89130	RC8 Engine Mount Plates	2
89144	RC8 Pipe Mount	1
89145	RC8 Pipe Mount Wire	1
89207	4x12mm BHCS	10
89213	4x6mm FHCS	10
89224	3x16mm SHCS	10
89231	3mm Lock Washer	10
89257	RC8 Engine Mount	2
89476	RC8B +3mm Chassis	1
89552	RC8.2 Side Guards	Pr.



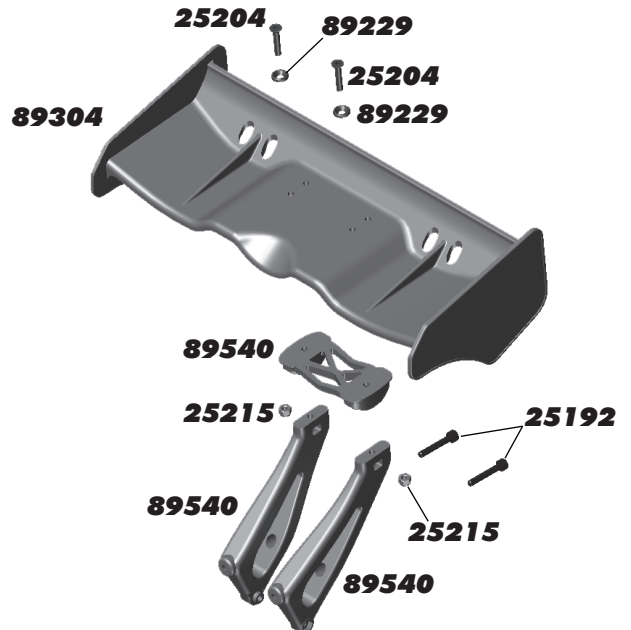
:: Anti-Swaybars

25192	3x20mm SHCS	20
25225	3x3mm Setscrew	20
89487	RC8B RR Swaybar, 2.5 (Green) - Kit	1
89488	RC8B RR Swaybar, 2.6 (White)	1
89489	RC8B RR Swaybar, 2.7 (Blue)	1
89490	RC8B RR Swaybar, 2.8 (Yellow)	1
89530	RC8.2 FR Swaybar Kit	1
89531	RC8.2 RR Swaybar Kit	1
89532	RC8.2 FR Swaybar, 2.2 (Green)	1
89533	RC8.2 FR Swaybar, 2.3 (White) - Kit	1
89534	RC8.2 FR Swaybar, 2.4 (Blue)	1
89535	RC8.2 FR Swaybar, 2.5 (Yellow)	1
89536	RC8.2 Swaybar Pivot Ball	4
89537	RC8.2 Swaybar Drop Link	4



:: Wing

25192	3x20mm SHCS	20
25204	3x16mm FHCS	20
25215	M3 Locknut, (Black)	20
89229	Blue Countersunk Washer	10
89304	JC Illuzion Wing (Black)	1
89540	RC8.2 Wing Mount, Set	1



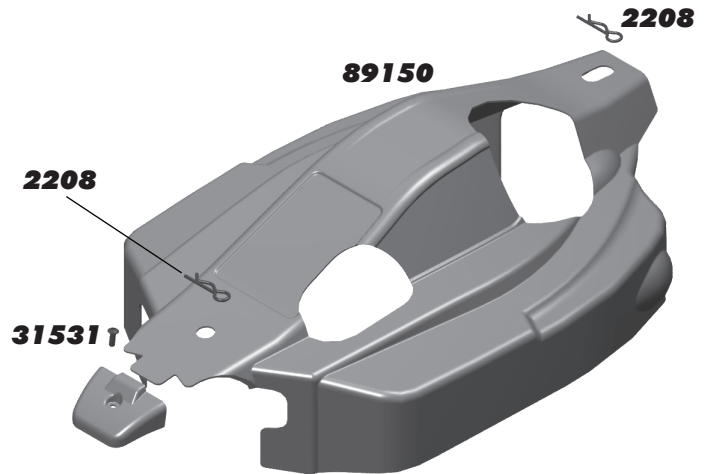
:: Wheels / Tires

89152	RC8 Wheels (White)	4
89153	RC8 Wheels (Yellow)	4
89255	RTR Pre-Glued Wheel/Tire (White)	Pr.
89296	RC8 83mm Wheels (White) - Kit	4
89297	RC8 83mm Wheels (Yellow)	4



:: Body / Decals

1737	FT Body Scissors	1
2208	Large Hood Pins	6
31531	3x6mm BHCS	6
89150	RC8 Body w/Window Mask (Clear)	1
89275	RC8 RTR Body (Black)	1
89276	RC8 RTR Body (White)	1
89277	RC8 RTR Body Wrap Decals	1
89475	RC8B Decal Sheet	1
89523	RC8e Body w/Window Masks (Clear)	1
89559	RC8.2 Decal Sheet	1



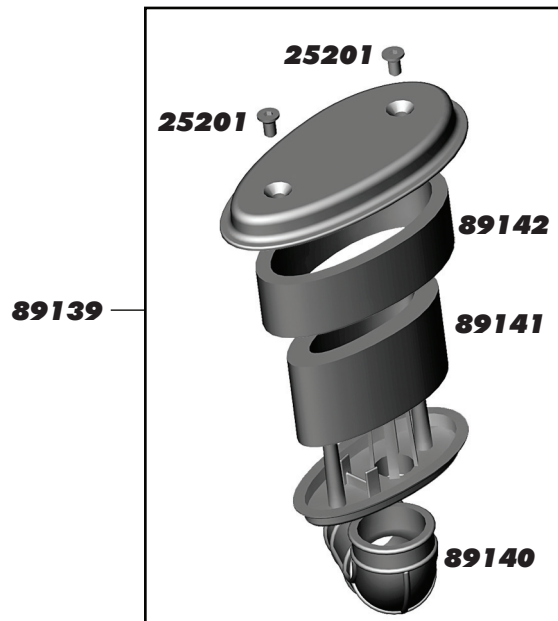
:: Fuel Tank

21173	18T Body Clips	12
25203	3x12mm FHCS	20
89066	Shock O-Rings	8
89128	Fuel Tank Mount, Set	1
89131	RC8 Fuel Tank	1
89325	Fuel Line Clips, Set	1



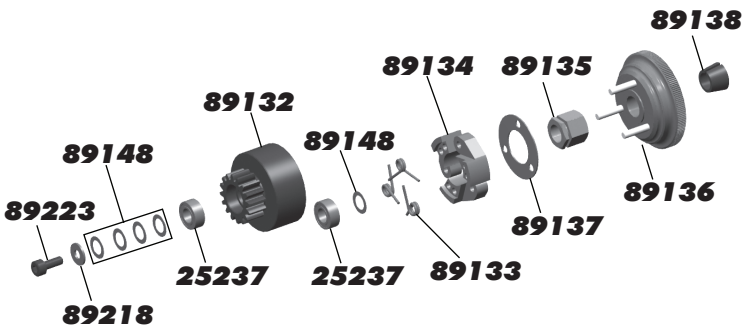
:: Air Filter

3719	6" Nylon Wire Ties	2
7710	Pre-Filter Fluid	1
25201	3x8mm FHCS	20
89139	RC8 Air Filter Set	1
89140	RC8 Air Filter Hose	1
89141	Air Filter Elements	1
89142	Air Filter Outer Elements	4



:: Clutch

25237	5x10x4 Bearings	2
89127	Clutch Bell, 17T	1
89132	Clutch Bell, 16T - Kit	1
89133	Clutch Springs 1.0 - Kit	3
89134	Clutch Shoes w/ Shims, Set	1
89135	Clutch Nut	1
89136	Flywheel (Hard Anodized)	1
89137	Clutch Shims	4
89138	Flywheel Collet	1
89148	Clutch Bell Shim Set	1
89157	0.9 Clutch Springs	3
89158	1.1 Clutch Springs	3
89159	Short Clutch Nut	1
89218	3x8mm Washer	10
89223	3x8mm SHCS	10
89265	Fiber Clutch Shoes	3
89375	Clutch Bell, 14T	1
89376	Clutch Bell, 13T	1



:: Exhaust

2357	Rear Exhaust Manifold Spring	6
25094	Header Spring	1
89175	Black Non-Stick Muffler	1
89176	Black Non-Stick Header	1
89177	Polished Muffler	1
89178	Polished Header	1
89181	Muffler to Header Springs	3



:: Fueling

1748	Nitro Fuel Bottle 600cc	1
1749	Nitro Fuel Bottle 350cc	1
7724	Fuel Line 15"	1
7725	Fuel Line 3'	1
25076	Fuel Primer Bulb	1



7724
7725



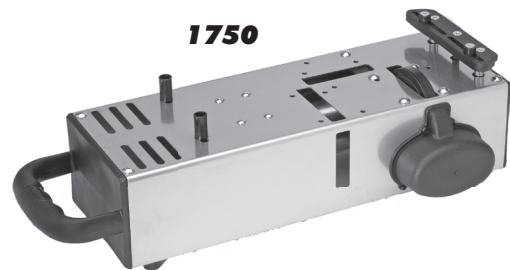
1748
1749



25076

:: Starting Equipment

1738	FT Glow Starter	2
1750	FT Starter Box	1
7994	D-Size Glow Ignitor	20
25261	Hex Drive Starter Shaft	1
25262	Pro Start Starter	1
89439	Hex Drive Starter Shaft XL (SC8)	1



1750

:: Factory Team and Option Parts

25392	3mm Blue Locknut, Flanged	1
80930	1/8 Scale Electric Conversion Kit	1
89005	Aluminum Antenna Mount	1
89012	RC8 Steering Rack, Carbon Fiber	1
89016	Servo Saver Bolt, Nut, Spring	1
89020	Center Bulkhead Plate CF	1
89045	RC8 FT 0.5 Degree Toe Bushing	1
89068	RC8 Pivot Chassis Brace Set (Front)	1
89069	RC8 Pivot Chassis Brace Set (Rear)	1
89070	RC8 Ti Turnbuckle Set	1
89071	Camber Turnbuckles 5mm	2
89073	Servo Turnbuckle 4mm	1
89082	RC8 Shock Standoffs, Aluminum	4
89123	RC8 Heatsink Brake Disc	2
89136	RC8 Flywheel, Hard	1
89146	RC8/T Clutch Shoes, Hard	3
89161	Steering Bearing Set	1
89229	Blue Countersunk Washer	10
89234	Blue Aluminum Top Plate (FT)	1
89235	RC8 CNC Aluminum Steering Rack	1
89236	Black Aluminum Top Plate (FT)	1
89237	RC8 Skid Plate	1
89238	FT Aluminum Chassis Brace (Front)	1
89239	FT Aluminum Chassis Brace (Rear)	1
89284	RC8 Rear Stub Axle (Aluminum)	2
89285	RC8 Front Stub Axle (Aluminum)	2
89286	RC8 Gearbox Input Cup (Aluminum)	2
89380	RC8 FT Machined Steering Blocks	Pr.
89381	RC8 FT Machined Rear Hubs	Pr.
89405	Nyloc Wheel Nuts (Silver)	4
89406	Nyloc Wheel Nuts (Black)	4
89456	16mm Piston 10x1.1	4
89460	RC8 Aluminum A-Plate	1
89461	RC8 Aluminum B-Plate w/Pins, Set	1
89462	RC8 Aluminum C-Plate	1
89463	RC8 Aluminum D-Plate w/Pins, Set	1
89464	RC8B Aluminum Front Shock Tower	1
89465	RC8B Aluminum Rear Shock Tower	1
89466	RC8B Inner Hinge Pins, 4mm HMA, Set	1
89470	RC8B Shock Tower Hinge Pin Bushings, Set	1
89473	Steel Shock Standoff	2
89476	FT RC8B +3mm Chassis	1
89477	FT RC8B Light Outdrive, Front	2
89478	FT RC8B Light Outdrive, Rear	2
89481	FT RC8B Low B-Plate	1
89482	FT RC8B Low B-Plate Inserts	2
89483	FT RC8B Front Shock Tower	1
89484	FT RC8B Rear Shock Tower	1
89485	FT RC8B Aluminum Steering Posts	2

:: XP Electronics

29102	Antenna (silver) xp2/xp3/xp3d	1
29107	Metal gear set, S1903/S1903MG	1
29108	AM TX + RX crystal set, 26.995 Ch 1	1
29109	AM TX + RX crystal set, 27.045 Ch 2	1
29110	AM TX + RX crystal set, 27.095 Ch 3	1
29111	AM TX + RX crystal set, 27.145 Ch 4	1
29112	AM TX + RX crystal set, 27.195 Ch 5	1
29113	AM TX + RX crystal set, 27.255 Ch 6	1
29115	BEC switch with harness, TR-404A	1
29122	Receiver, AM 27MHZ 2ch, TR202A	1
29123	Receiver, AM 27MHZ 4ch, TR402A	1
29124	S1903 standard servo	1
29125	S1903MG standard servo, metal gear	1
29126	S2008MG high torque servo, metal gear	1
29130	Micro receiver, AM 27MHZ 2ch, TR204A	1
29131	SHV1504 servo	1
29132	SHV1504MG servo	1
29150	Charger for xp2/xp3/xp3d & receiver packs (not for LiPo)	1
29155	XP3D FM Radio System 27mHz	1
29156	XP3D FM Radio System 75mHz	1
29158	XP3D 3ch Digital Transmitter Only	1
29160	Transmitter RF module, AM 27MHZ	1
29161	Transmitter RF module, FM 27MHZ	1
29162	Transmitter RF module, FM 75MHZ	1
29164	Receiver, FM 27MHZ 3ch, TR301F	1
29165	Receiver, FM 75MHZ 3ch, TR301F	1
29166	DS1313 performance digital servo	1
29167	DS1015 hi-torque/hi-speed digital servo	1
29170	FM TX + RX crystal set, 26.995 Ch 1	1
29171	FM TX + RX crystal set, 27.045 Ch 2	1
29172	FM TX + RX crystal set, 27.095 Ch 3	1
29173	FM TX + RX crystal set, 27.145 Ch 4	1
29174	FM TX + RX crystal set, 27.195 Ch 5	1
29175	FM TX + RX crystal set, 27.255 Ch 6	1
29176	FM TX + RX crystal set, 75.410 Ch 61	1
29178	FM TX + RX crystal set, 75.450 Ch 63	1
29187	FM TX + RX crystal set, 75.630 Ch 72	1
29189	FM TX + RX crystal set, 75.670 Ch 74	1
29200	FM TX + RX crystal set, 75.890 Ch 85	1
29202	FM TX + RX crystal set, 75.930 Ch 87	1
29206	Receiver, AM 27MHZ 4ch, TR405A	1
29209	Gear set, DS1313 digital servo	1
29210	Gear set, DS1015 digital servo	1
29211	Servo case, DS1313/DS1015	1
29212	Accessory pack	1
29221	XP3SS 2.4GHz Radio System	1
29222	TRS401SS 2.4GHz 4Ch Receiver	1

:: LRP Engines, Chargers, Soldering Irons

LRP32111	ZR.21X Spec.2 Non Pull Race Engine	1
LRP41281	Quadra Pro 2 Charger	1
LRP41555	Pulsar Touch Competition Charger	1
LRP42305	Pulsar Touch Temperature Sensor	1
LRP43150	Power Supply Competition	1
LRP45200	LiPo Parallel Balancer	1
LRP65800	High Power Solder Station	1
LRP65802	Soldering Tip 5mm	1
LRP65803	Soldering Tip 1.2mm	1
LRP65804	Soldering Handle	1

:: LRP 1/8 Brushless Systems

LRP53230	Dynamic 8 Brushless Motor 1800KV	1
LRP53240	Dynamic 8 Brushless Motor 2200KV	1
LRP53270	Dynamic 8 Brushless Motor 2600KV	1
LRP80785	IX8/Dynamic 8 2600KV	1
LRP80786	IX8/Dynamic 8 2200KV	1
LRP80787	IX8/Dynamic 8 1800KV	1
LRP80880	IX8 Brushless ESC	1

:: Reedy Nitro Engines and Parts

800	Reedy 121VR .21 Off-Road Comp. Nitro Engine	1
801	Reedy 121VR-ST .21 Comp. Nitro Engine	1
28000	121 VR Crankshaft	1
28001	121 Crankcase	1
28002	121 Connecting Rod	1
28003	121 Wrist Pin	1
28004	121 Circlips	1
28005	121 VR Cylinder & Piston	1
28006	121 VR Heatsink Head	1
28007	121 VR Button	1
28008	121 Carb Insulator	1
28009	121 Head Shim Set	1
28010	121 Backplate	1
28011	121 Exhaust Gasket	1
28012	121 Ball Bearing (Rear)	1
28013	121 Ball Bearing (Front)	1
28014	121 Screw Set	1
28015	121 VR Complete Carburetor	1
28016	121 VR Carb Body Set	1
28017	121 Needle Valve Assembly	1
28018	121 Needle Valve	1
28019	121 Carb Slide Assembly	1
28020	121 Idle Screw	1
28021	121 VR O-Ring Set	1
28022	121 Exhaust Spring Set	1
28023	121 Dust Cap Set	1
28024	121 Flywheel Collet	1
28025	121 Restrictor (7.0mm)	1
28026	121 Restrictor (8.0mm)	1
28027	121 Restrictor (9.0mm)	1
28028	121 Restrictor (6.5mm)	1
28029	121 Restrictor (7.5mm)	1
28030	121 Restrictor (8.5mm)	1
28031	121 VR-ST Crankshaft (ADLC)	1
28032	121 VR-ST Crankcase	1
28033	121 Wrist Pin (ADLC)	1
28034	121 VR-ST Cylinder and Piston	1
28035	121 VR-ST Heatsink Head	1
28036	Ceramic Rear Bearing for 121 Engine	1
28037	121 VR-ST Complete Carburetor	1
28038	121 VR-ST Carburetor Body Set	1
28039	121 VR-ST Midrange Screw	1
28040	Reedy RT3 Turbo Plug, Very Hot	1
28041	Reedy RT4 Turbo Plug, Hot	1
28042	121 Restrictor (5.0mm)	1
28043	121 Restrictor (5.5mm)	1
28044	121 Restrictor (6.0mm)	1
28045	Reedy 2035 Tuned Exhaust System	1
28046	Reedy 2035 Muffler	1
28047	Reedy Exhaust Manifold	1
28048	Reedy 2039 Tuned Exhaust System	1
28049	Reedy 2039 Muffler	1
28050	Reedy Turbo Glow Plug Caddy	1

:: Reedy Accessories

604	526-S AC/DC 2S-6S LiPo/LiFe Charger	1
606	Charge Harness 2S Saddle Pack 4mm	1
607	Charge Harness 2S Standard Pack 4mm	1
610	447-S AC/DC NiMH Peak Charger	1
715	Reedy 2009 Banner	1
716	Reedy 09 Decal Set	1
SP35M	Reedy Logo T-Shirt - White M	1
SP35L	Reedy Logo T-Shirt - White L	1
SP35XL	Reedy Logo T-Shirt - White XL	1
SP35XXL	Reedy Logo T-Shirt - White XXL	1
SP35XXXL	Reedy Logo T-Shirt - White XXXL	1
SP36M	Reedy Logo T-Shirt - Black M	1
SP36L	Reedy Logo T-Shirt - Black L	1
SP36XL	Reedy Logo T-Shirt - Black XL	1
SP36XXL	Reedy Logo T-Shirt - Black XXL	1
SP36XXXL	Reedy Logo T-Shirt - Black XXXL	1
SP417	Factory Team 1/10 Motor Storage Bag	1

:: Reedy Batteries

302	AA Alkaline 1.5V (4)	1
303	AA 2700mAh NiMH 1.2V Rechargeable	1
304	Pro RX Battery 1600mAh 7.4V Flat	1
305	Pro RX Battery 1300mAh 6.6V Flat	1
612	1600 Series 6.0V Hump Receiver Pack	1
613	1600 Series 6.0V Flat Receiver Pack	1
630	Pro RX LiPo Battery 1600mAh 7.4V	1
631	RX LiPo Battery 2100mAh 7.4V	1
632	TX Lightweight Battery 1350mAh 11.1V	1
633	TX Battery - 3PK, M11 3000mAh 11.1V	1
634	TX Battery - Helios, Z1 2400mAh 11.1V	1
635	Starter Box Battery 2200mAh	1
636	6.0V Voltage Regulator	1
637	TX Battery - M11X 2500mAh 7.4V	1
638	RX LiFe Battery 1700mAh 6.6V	1
693	Wolfpack 2400mAh 7.2V w/TAM connector	1
694	Wolfpack 3000mAh 7.2V w/TAM connector	1
695	Wolfpack 3600mAh 7.2V w/TAM connector	1
700	Wolfpack 4200mAh 7.2V w/TAM connector	1
720	LiPo 14.8V 5000mAh 40C	1
721	LiPo 22.2V 3100mAh 6S 40C	1
722	LiPo 18.5V 3800mAh 5S 40C	1
733	Wolfpack LiPo 3700mAh 14.8V 35C w/DEANS®	1

:: Apparel

SP35**	Reedy 09' White T-Shirt (M, L, XL, 2XL, 3XL)	1
SP36**	Reedy 09' Black T-Shirt (M, L, XL, 2XL, 3XL)	1
SP58**	AE Logo Black T-Shirt (M, L, XL, 2XL)	1
SP59**	AE Logo Blue T-Shirt (M, L, XL, 2XL)	1
SP62**	AE Vertigo Long Sleeve T-Shirt (S, M, L, XL, 2XL)	1
SP63**	AE Vertigo White T-Shirt (S, M, L, XL, 2XL, 3XL, 4XL)	1
SP64**	AE Vertigo Blue T-Shirt (S, M, L, XL, 2XL, 3XL, 4XL)	1
SP65**	AE Vertigo Black T-Shirt (S, M, L, XL, 2XL, 3XL, 4XL)	1
SP66**	AE Stencil Blue T-Shirt (S, M, L, XL, 2XL, 3XL)	1
SP67**	AE Stencil Gray Sweatshirt (S, M, L, XL, 2XL, 3XL)	1
SP101	1/8 Inner Boxes Only, Set	1
SP102	1/10 Inner and Outer Boxes Only, Set	1
SP103	1/10 Inner Boxes Only, Set	1
SP411S	AE Hat 11' Flatbill Black S/M	1
SP411L	AE Hat 11' Flatbill Black L/XL	1
SP416	1/10 Car Carrier Bag Only	1
SP417	1/10 FT Motor Bag	1
SP420**	AE Pit Gloves (M, L, XL)	Pr.
715	Reedy 2009 Track Banner	1
110684	Team Associated Track Banner	1

** Use part number plus the desired size when ordering!

:: 1/18 Kits and RTR's

20100	RC18T RTR (ready-to-run)	1
20101	RC18T2 2.4ghz RTR (ready-to-run)	1
20103	RC18B2 - RC18T2 Team Kit	1
20105	RC18B RTR (ready-to-run)	1
20106	RC18B2 2.4ghz RTR (ready-to-run)	1
20110	RC18MT RTR (ready-to-run)	1
20115	RC18R Kamino RTR (ready-to-run)	1
20118	RC18R Niteline RTR (ready-to-run)	1
20120	SC18 RTR (ready-to-run)	1
20121	SC18 Brushless RTR (ready-to-run)	1
20130	RC18LM RTR (ready-to-run)	1

:: 1/12, 1/10 Kits and RTR's

2033	FT Nitro TC3 Kit	1
2042	Nitro TC3 RTR Plus (ready-to-run)	1
4019	FT 12R5.1 Kit	1
7023	RC10T4.1 FT Kit	1
7027	SC10 2WD Short Course Race Truck Kit	1
7029	SC10 Associated/RC10.com Truck RTR (ready-to-run)	1
7030	SC10 KMC Wheels Race Truck RTR (ready-to-run)	1
7032	SC10 Ready Lift RTR (ready-to-run)	1
7034	SC10 FT Kit	1
7036	RC10T4.1 RTR 2.4GHz Brushed (ready-to-run)	1
7037	RC10T4.1 RTR 2.4GHz Brushless (ready-to-run)	1
7046	SC10RS RTR, 2.4ghz Brushless Lucas Oil Body	1
7047	SC10RS RTR, 2.4ghz Brushless Monster Energy Body	1
7048	SC10RS RTR, 2.4ghz Brushless Pro Comp Body	1
7049	SC10RS RTR, 2.4ghz Brushless Rockstar/Makita Body	1
7080	FT GT2 Nitro Truck Kit	1
7092	GT2 RS Truck Nitro RTR (ready-to-run)	1
8020	FT RC10R5 Kit	1
8021	FT RC10R5-OVAL Kit	1
9036	RC10B4.1 FT Kit	1
9039	RC10B4.1 RTR 2.4GHz Brushless (ready-to-run)	1
9061	FT B44.1 4WD Buggy Kit	1
20515	MGT 3.0 Nitro Monster Truck RTR (ready-to-run)	1
30105	FT TC5R Rubber Tire Edition 4WD Touring Car Kit	1
30106	FT TC6 4WD Touring Car Kit	1
30111	TC4 4WD Touring Car RTR (ready-to-run)	1
90004	SC10 4X4 Kit	1
90005	SC10 4X4 RTR, 2.4ghz Brushless Lucas Oil Body	1
90006	SC10 4X4 RTR, 2.4ghz Brushless Pro Comp Body	1
90007	SC10 4X4 RTR, 2.4ghz Brushless Rockstar/Makita Body	1

:: 1/8 Kits and RTR's

20503	Limited Edition MGT 4.60 Nitro RTR, w/flag body (ready-to-run)	1
20504	Limited Edition MGT 8.0 Nitro RTR, w/flag body (ready-to-run)	1
80902	FT RC8B Nitro Buggy Kit	1
80904	FT RC8Be Electric Buggy Kit	1
80905	RC8RS "Race Spec" Nitro Buggy RTR (ready-to-run)	1
80906	FT RC8.2 Nitro Buggy Kit	1
80912	RC8T Championship Edition	1
80922	SC8 Short Course Race Truck, KMC Wheels Nitro RTR (ready-to-run)	1
80923	SC8 Short Course Race Truck, Bully Dog Nitro RTR (ready-to-run)	1
80924	SC8 Short Course Race Truck, AE Team Nitro RTR (ready-to-run)	1
80925	SC8 Short Course Race Truck, Pro Comp Nitro RTR (ready-to-run)	1
80932	SC8e Short Course Race Truck Rockstar/Makita RTR (ready-to-run)	1

:: Tools

1111	FT Turnbuckle Wrench	1
1112	FT 4mm Turnbuckle Wrench (4x4 only)	1
1449	Offroad Ride Height Gauge	1
1450	FT Ride Height Gauge	1
1541	FT Hex Driver Set, (7 pcs)	1
1542	FT .050" Silver Hex Driver	1
1543	FT 1/16" Black Hex Driver	1
1544	FT 1.5mm Purple Hex Driver	1
1545	FT 5/64" Blue Hex Driver	1
1546	FT 3/32" Gold Hex Driver	1
1547	FT 2.5mm Green Hex Driver	1
1548	FT 3mm Red Hex Driver	1
1551	FT Screwdriver Set	1
1553	FT Phillips Silver Screwdriver	1
1554	FT Silver Spring Hook Tool	1
1561	FT Nut Driver Set, (6 pcs)	1
1562	FT 3/16" Black Nut Driver	1
1563	FT 1/4" Red Nut Driver	1
1564	FT 5.5mm Red Nut Driver	1
1565	FT 11/32" Green Nut Driver	1
1566	FT 7.0mm Silver Nut Driver	1
1567	FT 8mm Gold Nut Driver	1
1589	FT 5/64" Blue Ball Hex Driver	1
1590	FT 3/32" Gold Ball Hex Driver	1
1592	FT Ball Hex Driver Set, (3 pcs)	1
1655	FT 8-Piece 1/4" Hex Drive Set	1
1656	FT 1/4" Hex Drive Handle, without tips	1
1657	FT 1/4" Hex Drive .050" Tip	1
1658	FT 1/4" Hex Drive 1/16" Tip	1
1659	FT 1/4" Hex Drive 5/64" - 2.0mm Tip	1
1660	FT 1/4" Hex Drive 3/32" Tip	1
1661	FT 1/4" Hex Drive 1.5mm Tip	1
1662	FT 1/4" Hex Drive 2.5mm Tip	1
1663	FT 1/4" Hex Drive 3/16" Nut Driver Tip	1
1664	FT 1/4" Hex Drive 1/4" Nut Driver Tip	1
1665	FT 1/4" Hex Drive 11/32" Nut Driver Tip	1
1666	FT 1/4" Hex Drive 5.5mm Nut Driver Tip	1
1667	FT 1/4" Hex Drive 7.0mm Nut Driver Tip	1
1668	FT 1/4" Hex Drive 8.0mm Nut Driver Tip	1
1669	FT 1/4" Hex Drive 5/64" - 2.0mm Ball End Tip	1
1670	FT 1/4" Hex Drive 3/32" Ball End Tip	1
1671	FT 1/4" Hex Drive Standard Screwdriver Tip	1
1672	FT 1/4" Hex Drive Phillips Screwdriver Tip	1
1673	FT 1/4" Hex Drive 2.5mm Ball End Tip	1
1674	FT 1/4" 5 Piece Power Tool Tips Set (5/64-2.0mm, 1.5mm, 2.5mm, 5/64"- 2.0mm ball, 2.5mm ball)	1
1719	FT Camber + Track Width Tool	1
1737	FT Body Scissors	1
3718	12 Inch Nylon Wire Ties	12
3719	6 Inch Nylon Wire Ties	12
3720	8 Inch Nylon Wire Ties	12
3987	FT Droop Gauge	1
6429	Shock Building Tool	1
6956	Molded Tools, Set	1
7494	V2 Stamped Multi Tool	1
7709	4 Inch Nylon Wire Ties	12
91107	13mm Shock Tools	1

:: Contact Information

Associated Electrics, Inc.
26021 Commercentre Drive
Lake Forest, CA 92630-8853 USA

<http://www.TeamAssociated.com>
<http://twitter/TeamAssociated>

<http://www.RC10.com>
<http://bit.ly/AEonFacebook>

call: (949) 544-7500 fax: (949) 544-7501

Check out the following web sites for all of our electric kits, current products, new releases, setup help, tips, and racing info!

www.TeamAssociated.com - www.RC10.com

:: Notes

A large, empty rectangular area intended for taking notes, framed by a thin black border.

Front Suspension

Steering System:

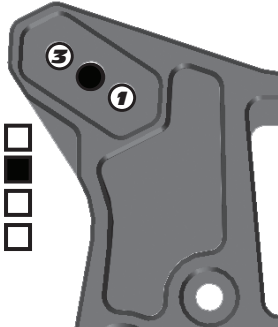
- Swing Rack Anti Roll Bar:
- Bellcrank Rack 2.2mm Green
- 2.3mm White
- 2.4mm Blue
- 2.5mm Yellow

Bumpsteer Washers: 0

Camber: -1

Caster: 16

Toe: 0



Upper Hinge Pin Bushing

Front # 1 dot

Up Down

Rear # 3 dot

Up Down

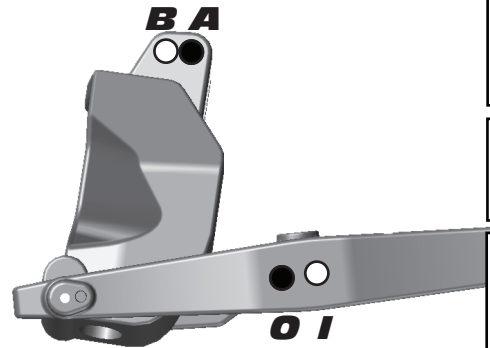
B-Plate Type

Low Original

Kickup Bushing A-Plate

2 dot

Up Down



Ride Height: 28mm

Rear Suspension

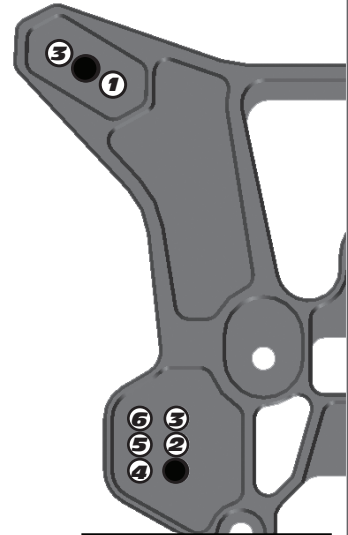
Wheelbase:

- Long
- Medium
- Short

Anti Roll Bar:

- 2.5mm Green
- 2.6mm White
- 2.7mm Blue
- 2.8mm Yellow

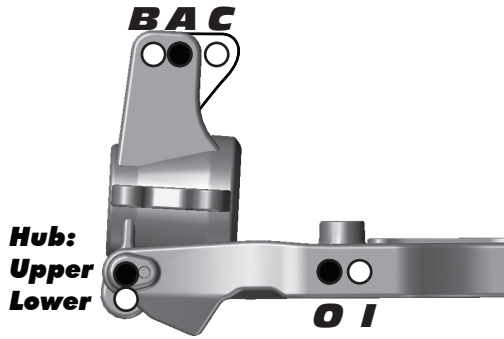
Camber: -1



Toe Bushing D-Plate

1 dot

In Out



Squat Bushing C-Plate

2 dot

Up Down

Ride Height: 29mm

Front Shocks

Spring: Silver 4.3 Shock Cap: Alum.

Shock Fluid: 30 weight Length: 106mm

Piston: 1.2 Rebound: None

Rear Shocks

Spring: Silver 3.55 Shock Cap: Alum.

Shock Fluid: 30 weight Length: 122mm

Piston: 1.2 Rebound: None

Chassis Braces / Wheel Hex

Chassis Braces: Wheel Hex:

Pivot Standard

Molded Narrow

Aluminum

Chassis Weight

Weight: _____

Rear Hubs

Rear Hubs:

Standard

CNC FT Alum.

Differentials

Front Diff Fluid: 5,000

Center Diff Fluid: 5,000

Rear Diff Fluid: 5,000

Body / Wing

Body Type: JConcepts

Wing Type: JConcepts

Gap to Tower (MM): 24mm

Gearing / Clutch

Spur Gear: 44T - Light

Clutch Bell: 16T

Clutch Shoes: Std

Clutch Spring: 1.0

Engine

Engine: _____

Restrictor: _____ Temp: _____

Muffler: _____

Glow Plug: _____ Fuel: _____

Tires

Tire (F/R): _____ / _____

Compound (F/R): _____ / _____

Inserts (F/R): _____ / _____

Wheel (F/R): _____ / _____

Notes: _____

Radio / Servos

Radio: _____ Brake Bias: _____

Throttle / Steering Servo: _____ / _____

Throttle / Brake expo: _____ / _____

Steering expo: _____

Dual Rate: _____

Race and Vehicle Comments

Qualify: _____ Main: _____ Finish: _____ TQ: _____

Comments: _____

Track Info

Traction: High Medium Low












Surface: Smooth Bumpy Blue Groove

Soft Dirt Grass Clay Wet


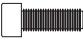












Astroturf Dusty Other: _____

:: Hardware - 1:1 Scale View














Flat Head (fhcs)

	3x8mm (25201)
	3x10mm (25202)
	3x12mm (25203)
	3x14mm (89208)
	3x18mm (89209)
	3x20mm (89210)
	3x22mm (89455)
	3x26mm (89211)
	4x6mm (89213)
	4x12mm (89214)
	4x14mm (89217)




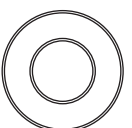
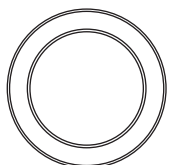
Cap Head (shcs)

	2.5x8mm (89222)
	3x8mm (89223)
	3x10mm (25620)
	3x12mm (89454)
	3x16mm (89224)
	3x18mm (25191)
	3x20mm (25192)
	3x22mm (89474)
	3x24mm (89225)
	3x26mm (89226)
	3x28mm (89227)
	3x40mm (89228)
	3x45mm (89279)
	3x50mm (89452)






Button Head (bhcs)

	2.5x3mm (89201)
	2.5x6mm (31520)
	3x6mm (31531)
	3x10mm (25211)
	3x12mm (89202)
	3x14mm (25187)
	3x16mm (89203)
	3x18mm (2308)
	3x20mm (25188)
	3x24mm (89204)
	3x26mm (89205)
	4x10mm (89206)
	4x12mm (89207)








Ball Bearings

	steering bearing (89161)
	5x10mm (25237)
	6x10mm (31404)
	8x16mm (25236)
	15x21mm (89162)

Set Screws

	3x3mm (25225)
	3x5mm (89219)
	4x5mm (25226)
	4x12mm (89220)
	5x4mm (89221)

Shims and Washers

	3mm lock washer (89231)
	2.5mm washer (89278)
	blue countersunk washer (89229)
	silver cone washer (89230)
	3x8mm thin washer (89218)
	diff washer (89120)
	diff shim (89117)

Front Suspension

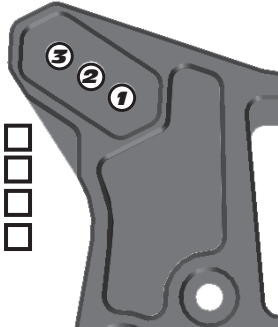
Steering System:

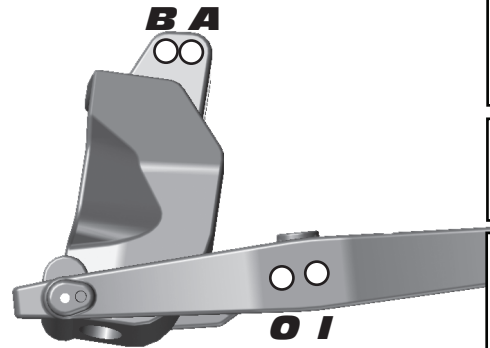
Swing Rack **Bellcrank Rack**
Anti Roll Bar:

 2.2mm Green
 2.3mm White
 2.4mm Blue
 2.5mm Yellow
Bumpsteer Washers: _____

Camber: _____

Caster: _____

Toe: _____

Upper Hinge Pin Bushing
Front # _____
 Up Down
Rear # _____
 Up Down
B-Plate Type

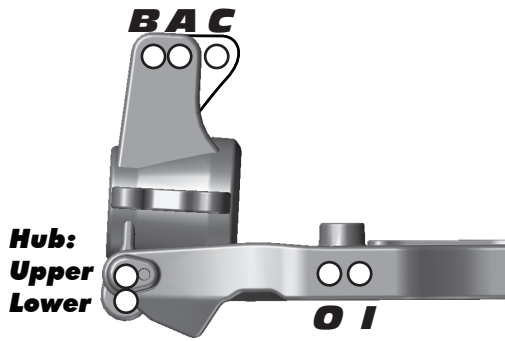
 Low Original
Kickup Bushing A-Plate
_____
 Up Down

Ride Height: _____

Rear Suspension

Wheelbase:

Long
Medium
Short
Anti Roll Bar:

 2.5mm Green
 2.6mm White
 2.7mm Blue
 2.8mm Yellow
Camber: _____

Toe Bushing D-Plate
_____
 In Out
Squat Bushing C-Plate
_____
 Up Down

Hub: Upper Lower
Ride Height: _____

Front Shocks

Spring: _____ **Shock Cap:** _____
Shock Fluid: _____ **Length:** _____
Piston: _____ **Rebound:** _____

Rear Shocks

Spring: _____ **Shock Cap:** _____
Shock Fluid: _____ **Length:** _____
Piston: _____ **Rebound:** _____

Chassis Braces / Wheel Hex

Chassis Braces: **Wheel Hex:**
Pivot **Standard**
Molded **Narrow**
Aluminum

Chassis Weight

Weight: _____

Rear Hubs

Rear Hubs:
Standard
CNC FT Alum.

Differentials

Front Diff Fluid: _____
Center Diff Fluid: _____
Rear Diff Fluid: _____

Body / Wing

Body Type: _____
Wing Type: _____
Gap to Tower (MM): _____

Gearing / Clutch

Spur Gear: _____
Clutch Bell: _____
Clutch Shoes: _____
Clutch Spring: _____

Engine

Engine: _____
Restrictor: _____ **Temp:** _____
Muffler: _____
Glow Plug: _____ **Fuel:** _____

Tires

Tire (F/R): _____ / _____
Compound (F/R): _____ / _____
Inserts (F/R): _____ / _____
Wheel (F/R): _____ / _____
Notes: _____

Radio / Servos

Radio: _____ **Brake Bias:** _____
Throttle / Steering Servo: _____ / _____
Throttle / Brake expo: _____ / _____
Steering expo: _____
Dual Rate: _____

Race and Vehicle Comments

Qualify: _____ **Main:** _____ **Finish:** _____ **TQ:** _____
Comments: _____

Track Info

Traction: **High** **Medium** **Low**
Surface: **Smooth** **Bumpy** **Blue Groove**
Soft Dirt **Grass** **Clay** **Wet**
Astroturf **Dusty** **Other:** _____



**Associated Electrics, Inc.
26021 Commercentre Dr.
Lake Forest, CA 92630 USA**

<http://www.TeamAssociated.com>

<https://www.RC10.com>

https://twitter/Team_Associated

<https://bit.ly/AEonFacebook>

call: (949) 544-7500 - fax: (949) 544-7501

**Check out the following web sites for all of our kits,
current products, new releases, setup help, tips, and racing info!
www.TeamAssociated.com - www.RC10.com**